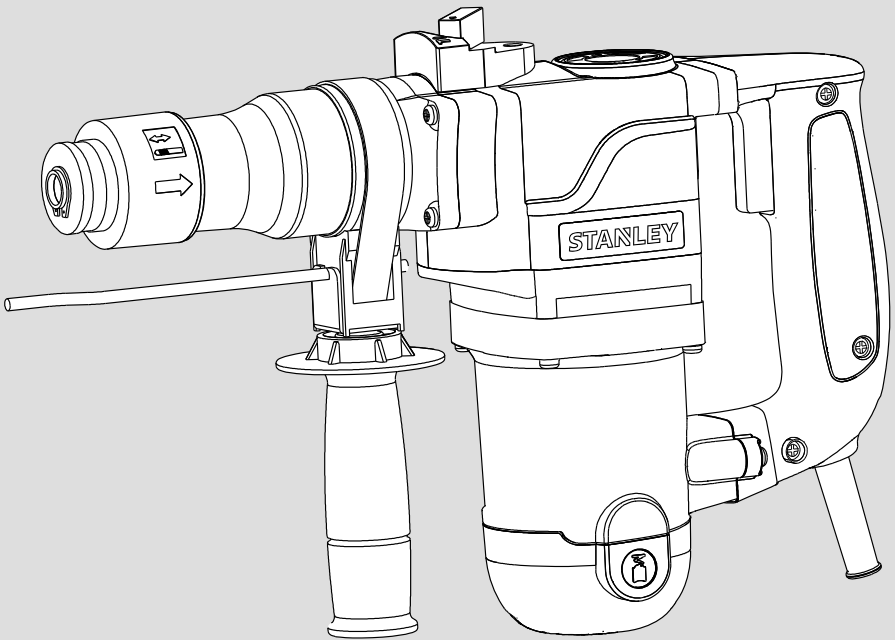
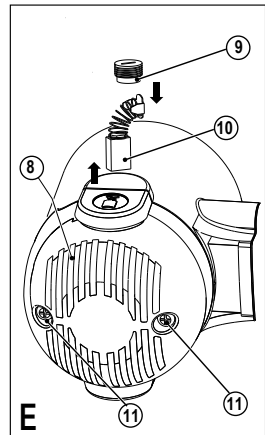
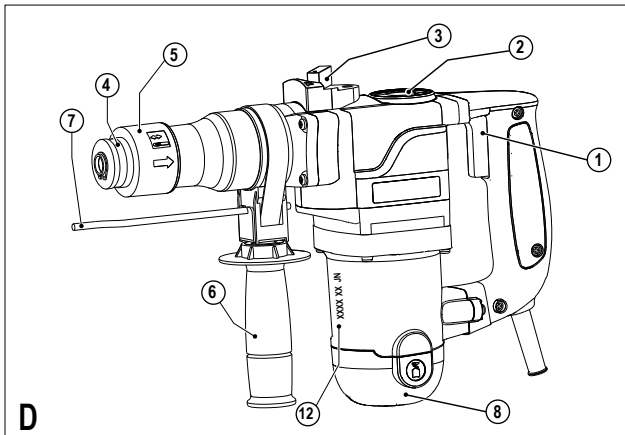
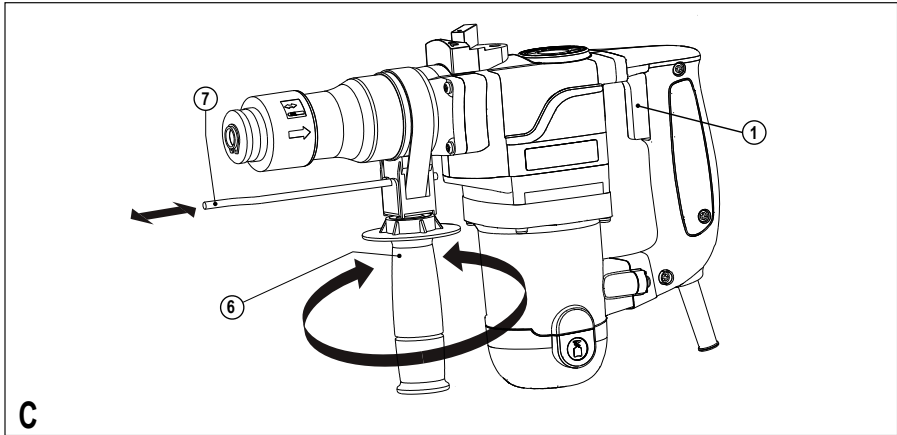
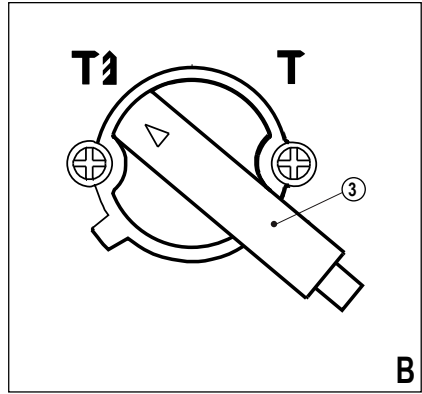
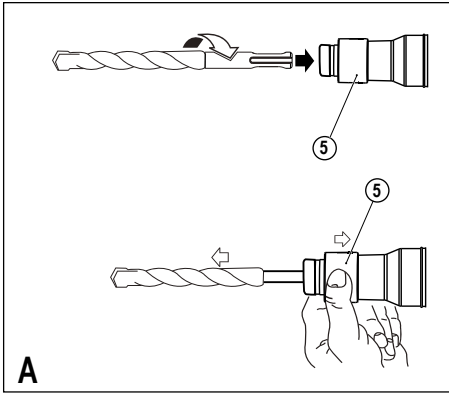


# STANLEY



**STHR272**

English	Page 3
French	Page 10
Portuguese	Page 17
Russian	Page 24
Ukrainian	Page 33
Arabic	Page 45



\* The picture above may differ slightly to actual unit.

## Intended use

Your STANLEY hammer has been designed for drilling in concrete and masonry as well as for light chiselling applications.

## Safety instructions

### General power tool safety warnings



**WARNING!** Read all safety warnings and all instructions. Failure to follow the warnings and instructions listed below may result in electric shock, fire and/or serious injury.

### Save all warnings and instructions for future reference.

The term "power tool" in all of the warnings listed below refers to your mains operated (corded) power tool or battery operated (cordless) power tool.

#### 1. Work area safety

- a. **Keep work area clean and well lit.** Cluttered or dark areas invite accidents.
- b. **Do not operate power tools in explosive atmospheres, such as in the presence of flammable liquids, gases or dust.** Power tools create sparks which may ignite the dust or fumes.
- c. **Keep children and bystanders away while operating a power tool.** Distractions can cause you to lose control.

#### 2. Electrical safety

- a. **Power tool plugs must match the outlet. Never modify the plug in any way. Do not use any adapter plugs with earthed (grounded) power tools.** Unmodified plugs and matching outlets will reduce risk of electric shock.
- b. **Avoid body contact with earthed or grounded surfaces such as pipes, radiators, ranges and refrigerators.** There is an increased risk of electric shock if your body is earthed or grounded.
- c. **Do not expose power tools to rain or wet conditions.** Water entering a power tool will increase the risk of electric shock.

- d. **Do not abuse the cord. Never use the cord for carrying, pulling or unplugging the power tool. Keep cord away from heat, oil, sharp edges or moving parts.** Damaged or entangled cords increase the risk of electric shock.
- e. **When operating a power tool outdoors, use an extension cord suitable for outdoor use.** Use of a cord suitable for outdoor use reduces the risk of electric shock.
- f. **If operating a power tool in a damp location is unavoidable, use a residual current device (RCD) protected supply.** Use of an RCD reduces the risk of electric shock.

#### 3. Personal safety

- a. **Stay alert, watch what you are doing and use common sense when operating a power tool. Do not use a power tool while you are tired or under the influence of drugs, alcohol or medication.** A moment of inattention while operating power tools may result in serious personal injury.
- b. **Use personal protective equipment. Always wear eye protection.** Protective equipment such as dust mask, non-skid safety shoes, hard hat, or hearing protection used for appropriate conditions will reduce personal injuries.
- c. **Prevent unintentional starting. Ensure the switch is in the off-position before connecting to power source and/or battery pack, picking up or carrying the tool.** Carrying power tools with your finger on the switch or energising power tools that have the switch on invites accidents.
- d. **Remove any adjusting key or wrench before turning the power tool on.** A wrench or a key left attached to a rotating part of the power tool may result in personal injury.
- e. **Do not overreach. Keep proper footing and balance at all times.** This enables better control of the power tool in unexpected situations.
- f. **Dress properly. Do not wear loose clothing or jewellery. Keep your hair, clothing and gloves away from moving parts.** Loose clothes, jewellery or long hair can be caught in moving parts.

- g. If devices are provided for the connection of dust extraction and collection facilities, ensure these are connected and properly used. Use of dust collection can reduce dust-related hazards.
4. Power tool use and care
- a. **Do not force the power tool. Use the correct power tool for your application.** The correct power tool will do the job better and safer at the rate for which it was designed.
- b. **Do not use the power tool if the switch does not turn it on and off.** Any power tool that cannot be controlled with the switch is dangerous and must be repaired.
- c. **Disconnect the plug from the power source and/or the battery pack from the power tool before making any adjustments, changing accessories, or storing power tools.** Such preventive safety measures reduce the risk of starting the power tool accidentally.
- d. **Store idle power tools out of the reach of children and do not allow persons unfamiliar with the power tool or these instructions to operate the power tool.** Power tools are dangerous in the hands of untrained users.
- e. **Maintain power tools. Check for misalignment or binding of moving parts, breakage of parts and any other condition that may affect the power tools operation. If damaged, have the power tool repaired before use.** Many accidents are caused by poorly maintained power tools.
- f. **Keep cutting tools sharp and clean.** Properly maintained cutting tools with sharp cutting edges are less likely to bind and are easier to control.
- g. **Use the power tool, accessories and tool bits etc. in accordance with these instructions, taking into account the working conditions and the work to be performed.** Use of the power tool for operations different from those intended could result in a hazardous situation.
5. Service
- a. **Have your power tool serviced by a qualified repair person using only identical replacement parts.** This will ensure that the safety of the power tool is maintained.

## Hammer safety warnings

- **Wear ear protectors.** Exposure to noise can cause hearing loss.
- **Use auxiliary handle(s), if supplied with the tool.** Loss of control can cause personal injury.
- **Hold power tool by insulated gripping surfaces, when performing an operation where the cutting accessory may contact hidden wiring or its own cord.** Cutting accessory contacting a "live" wire may make exposed metal parts of the power tool "live" and could give the operator an electric shock.
- Never use a chisel accessory in rotary mode. The accessory will bind in the material and rotate the drill.
- Use clamps or another practical way to secure and support the workpiece to a stable platform. Holding the work by hand or against your body leaves it unstable and may lead to loss of control.
- Before drilling into walls, floors or ceilings, check for the location of wiring and pipes.
- Avoid touching the tip of a drill bit just after drilling, as it may be hot.
- The intended use is described in this instruction manual. The use of any accessory or attachment or performance of any operation with this tool other than those recommended in this instruction manual may present a risk of personal injury and/or damage to property.

## Safety of others

- This appliance is not intended for use by persons (including children) with reduced physical, sensory or mental capabilities, or lack of experience and knowledge, unless they have been given supervision or instruction concerning use of the appliance by a person responsible for their safety.
- Children should be supervised to ensure that they do not play with the appliance.

## Residual risks

Additional residual risks may arise when using the tool which may not be included in the enclosed safety warnings. These risks can arise from misuse, prolonged use etc. Even with the application of the relevant safety regulations and the implementation of safety devices, certain residual risks can not be avoided. These include:

- Injuries caused by touching any rotating/moving parts.
- Injuries caused when changing any parts, blades or accessories.
- Injuries caused by prolonged use of a tool. When using any tool for prolonged periods ensure you take regular breaks.
- Impairment of hearing.
- Health hazards caused by breathing dust developed when using your tool (example:- working with wood, especially oak, beech and MDF.)

## Label on the tool

The label on your tool may include the following symbols:



Read  
Instructions  
Manual



Use Eye  
Protection



Use Ear  
Protection

V ..... Volts

A ..... Amperes

Hz ..... Hertz

W ..... Watts

min ..... minutes

~ ..... Alternating  
Current

— ..... Direct  
Current

$n_0$  ..... No-Load  
Speed



..... Class II  
Construction



..... Earthing  
Terminal



..... Safety Alert  
Symbol



...../min..  
Revolutions  
or Reciprocation  
per  
minute

## Position of date barcode

The Date Code, which also includes the year of manufacture, is printed into the housing.

Example:

2014 XX JN  
Year of manufacturing

## Electrical safety



Double insulation measures are taken in this power tool, so no grounding is needed. Please check whether the voltage of power supplied is consistent with the voltage on the nameplate or not.

- If the wire is damaged, it should be replaced by the manufacturer or a service center authorized by STANLEY, to avoid danger.

## Part name

The power tool includes some or all of the following parts:

1. Switch
2. Oil-injection inlet cap
3. Modes selector
4. Tool chuck (tool holder)
5. sleeve
6. Side handle
7. Depth stop
8. Botton cover

## Assembly

**Warning!** Before assembly, please ensure that the power tool is powered off and the power plug of the tool is unplugged from the power source.

### Install the side handle

**Warning!** When holes are drilled in the concrete, bricks and other surfaces, please grip the side handle to ensure safe operation.

- The side handle (6) can be rotated to any side, which can facilitate the use of the power tool in any position.
- Rotate the side handle (6) counterclockwise, to unlock and release the power tool, rotate it to the desired position.
- Rotate the side handle clockwise to tighten it adequately.

### Fitting an accessory (Fig. A)

- Please clean the drill shank and lubricate the drill bit before installing it.
- Pull back and hold the slide-sleeve(5), and then screw the drill bit into the chuck, press it internally until it is fastened, the drilling bit can be automatically locked in situ. Pull the drill bit outwards to test whether it has been adequately locked in the correct position or not.
- Pull back and hold the drill sleeve(5) clamp, you can remove the drill bit.

## Use

**Warning!** Please use the power tool under normal load; no overloading is permitted.

**Warning!** Before drilling holes in the wall, floor or ceiling, please check the positions of the wire and steel tube.

### Chipping/Chiseling (Fig. B)

- When the cutting / stripping / removing operation is conducted, please put the operation modes selector (3) to position **T**, the drilling bit, cold chisel and scaling chisel etc. should be properly used.

**Warning!** Do not rotate the knob when the power tool is rotating under the load, otherwise it will be damaged.

### Hammer drilling (Fig. B)

- When using the hammer drill to drill holes on the masonry and concrete surfaces, the operation mode selector (3) should be set to position **T1**.
- The drilling bit should be aligned to the drilling position, and then press the switch button to achieve the best effect. Keep the power tool be positioned correctly, prevent it from deviating the hole.
- When the fragments plug the borehole or powders, please do not apply further pressure, and make the tool rotate in an idling state, then gradually take out the drilling bit from the hole. Repeat the said steps for several times, the plugged hole can be clean, and then resume the normal drilling.

**Warning!** When the drilling bit begins to break down the reinforced concrete or hit the steel bar inside the concrete, the power tool may have dangerous reaction force. Please always keep balance, stable posture and tightly grip the tool, to prevent from generating the dangerous reaction force. When the concrete is chiseled, the distance between the two points of one chiseling shall not be too much away from the edge, which shall be about 8cm or so, define the distance through finding the cracking strength of the concrete.

### Overload coupling device

If the drilling bit is clamped or hooked up, the driving force transmitted to the drill shaft will be cut off. A huge force will occur, so two hands must tightly grip the power tool when it is in operation, and ensure that the operator is standing in a stable and fixed position.

### Select the depth of holes to be drilled (Fig. C)

A depth gauge is an easy to use ruler to ensure that the drilling depth is consistent. Unlock the side handle, adjust

the depth gauge according to the required depth, and then tighten the side handle.

- Unfasten the side handle (6) by turning counter-clockwise the grip.
- Set the depth stop (7) to the desired position. The maximum depth of the drilled hole shall equal to the distance between the tip of drilling bit and the front end of the depth stop.
- Tighten the side handle by turning the grip clockwise.

### Switch on and off

**Warning!** Before inserting the plug, please confirm whether the switch can trigger freely or not, whether it can return to the original position after releasing.

- Press the switch button (1), the power tool can be started immediately.
- Release the button (1), the tool stops rotating.

### Accessories

The performance of an electric tool depends on its accessories. STANLEY accessories are designed according to high quality standards, to enhance the performance of electric tool. The use of these accessories can help you conveniently operate the tool.

### Maintenance

The STANLEY cord / cordless appliance / tools are of sophisticated design, can be used for a long time, and only little maintenance is needed. To obtain consistent satisfactory use, proper maintenance and regular cleaning of the tools are necessary.

**Warning!** Before performing any maintenance work on the cord / cordless electric tools, the following points must be implemented:

- Switch off the power of the equipment / tools and pull off the plug;
- If the equipment / tools are equipped with independent battery pack, please turn off the power and remove the battery pack from the equipment / tools.
- If the equipment / tools are equipped with an integrated battery, please run out the battery, before turning off its power.

- Before the cleaning, unplug the charger plug from the power source. In addition, except the regular cleaning on your charger, no other maintenance is needed.
- Regularly use the soft brush or dry cloth to clean the ventilation slot of the equipment / tools / charger.
- Regularly use a damp cloth to clean the motor housing. Please do not use any abrasive cleaning agents or solvent-based cleansing agents.
- Regularly open the clamping chuck and tap it gently to remove any internal dust (after installation).

## Replace the carbon brushes (Fig. E)



### Lubrication

- Regularly replace and check the carbon brushes. Replace it in time when it is worn to the abrasive boundary line. Keep the carbon brush clean and make it freely slide in the brushing range. Two brushes shall be replaced at the same time.
- Use the cross screwdriver to counterclockwise unscrew the screws, open the bottom cover(8) with a flat screwdriver to counterclockwise open the brush cover(9), you can remove the brush(10) as shown in the figure E, and put the new brush, and then clockwise fasten the brush cover(9), finally put the bottom cover(8), and then use the cross screwdriver to tighten it properly.
- Open the cap of the lube oil-injection inlet(2), check the lube oil in the gearbox, if the lube oil is dirty or insufficient, replace or add the adequate amount of lube oil provided by the company.



### Cleaning

**Warning!** Once the visible dust build-up is found at and/or around the ventilating ports, immediately flush the dust and powder within the host shell with clean dry air. To perform this procedure, wear the approved safety equipment and dust mask.

**Warning!** It is strictly forbidden to clean the non-metallic parts of the tool with the solvents or other irritant chemicals. These chemicals may weaken the materials of these components. Use a cloth moistened with a mild soapy water to clean it. Do not let any substance permeate into the tool and do not immerse any part of the tool into a liquid.

## Technical data

Hammer		STHR272
Power input	W	850
No-load speed	/min	700
Impact rate	BPM	3400
Impact energy (EPTA)	J	4.1
Modes		2
Max capacity		
Concrete	mm	26
Steel	mm	-
Wood	mm	-
Weight	kg	5.1

## Protecting the environment



Separate collection. This product must not be disposed of with normal household waste.

Should you find one day that your STANLEY product needs replacement, or if it is of no further use to you, do not dispose of it with household waste. Make this product available for separate collection.



Separate collection of used products and packaging allows materials to be recycled and used again.

Re-use of recycled materials helps prevent environmental pollution and reduces the demand for raw materials.

Local regulations may provide for separate collection of electrical products from the household, at municipal waste sites or by the retailer when you purchase a new product. STANLEY provides a facility for the collection and recycling of STANLEY products once they have reached the end of their working life. To take advantage of this service please return your product to any authorised repair agent who will collect them on our behalf.

You can check the location of your nearest authorised repair agent by contacting your local STANLEY office at the address indicated in this manual. Alternatively, a list of authorised STANLEY repair agents and full details of our after-sales service and contacts are available on the Internet at: [www.2helpU.com](http://www.2helpU.com)

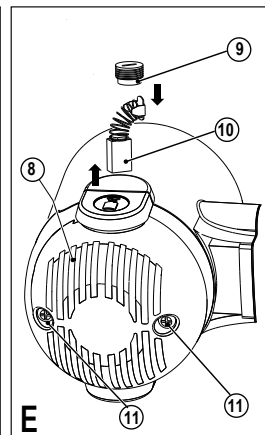
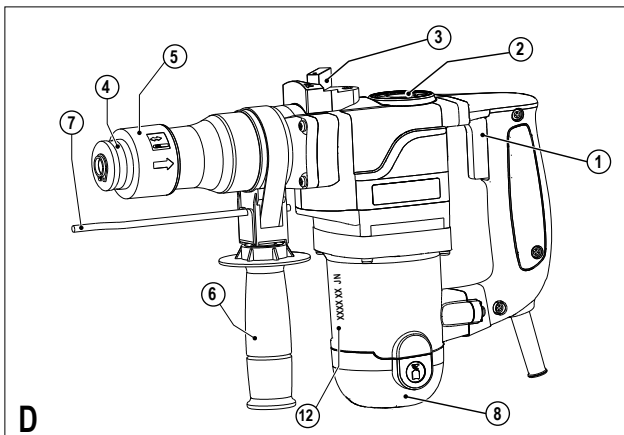
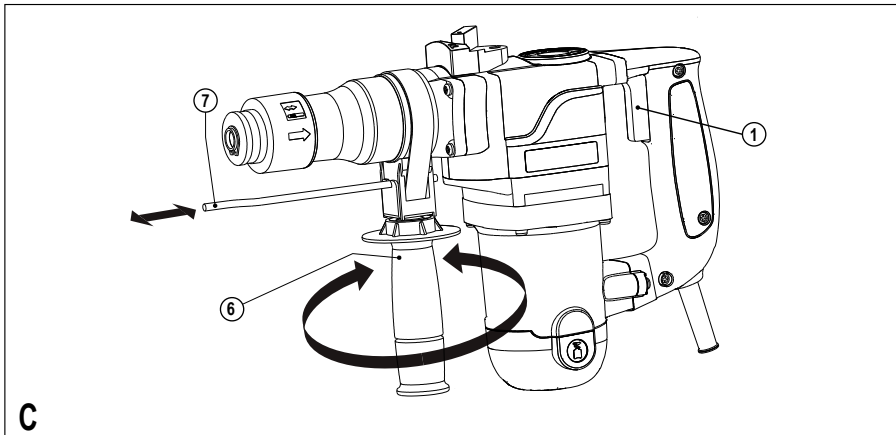
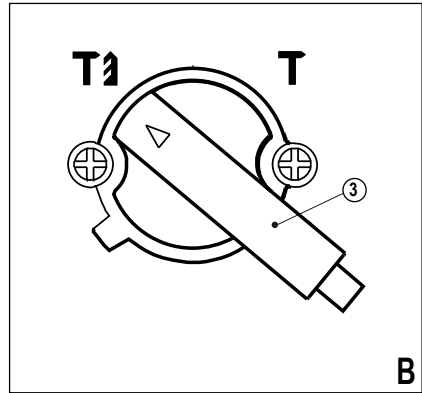
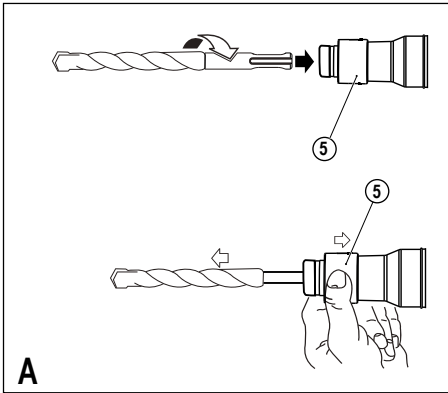
## Two years full warranty

If your STANLEY product becomes defective due to faulty materials or workmanship within 24 months from the date of purchase, STANLEY Europe guarantees to replace all defective parts free of charge or – at our discretion – replace the unit free of charge provided that:

- The product has not been misused and has been used in accordance with the instruction manual.
- The product has been subject to fair wear and tear;
- Repairs have not been attempted by unauthorised persons;
- Proof of purchase is produced.
- The STANLEY product is returned complete with all original components

If you wish to make a claim, contact your seller or check the location of your nearest authorised STANLEY repair agent in the STANLEY catalogue or contact your local STANLEY office at the address indicated in this manual. A list of authorised STANLEY repair agents and full details of our after sales service is available on the internet at: [www.stanleytools.com](http://www.stanleytools.com)





\* L'image ci-dessus peut différer légèrement à l'unité réelle.

## Utilisation

Votre marteau piqueur STANLEY est conçu pour percer le béton et la maçonnerie ainsi que pour les petits travaux de burinage.

## Consignes de sécurité

### Consignes générales de sécurité concernant les outils électroportatifs



**Attention! Lire avec attention tous les avertissements et toutes les instructions.** Le non-respect des avertissements et des

instructions indiquées ci-dessous peut entraîner un choc électrique, un incendie et/ou des blessures graves

### Conservez ces consignes et ces instructions pour référence ultérieure.

La notion "d'outil électroportatif" mentionnée par la suite se rapporte à des outils électriques raccordés au secteur (avec câble) ou fonctionnant avec piles (sans fil).

#### 1. Sécurité de la zone de travail

- a. **Maintenir la zone de travail propre et bien éclairée.**  
Un lieu de travail en désordre ou mal éclairé augmente le risque d'accidents.
- b. **Ne pas utiliser d'outils électroportatifs dans un environnement présentant des risques d'explosion ni en présence de liquides, gaz ou poussières inflammables.** Les outils électroportatifs génèrent des étincelles risquant d'enflammer les poussières ou les vapeurs.
- c. **Pendant l'utilisation d'un outil électroportatif, les enfants et autres personnes présentes doivent rester éloignés.** En cas d'inattention, vous risquez de perdre le contrôle de l'outil.

#### 2. Sécurité électrique

- a. **La fiche de l'outil électrique doit être compatible avec la prise d'alimentation, Ne modifiez la fiche en aucun cas. N'utilisez pas d'adaptateurs avec des outils ayant une prise de terre.** Le respect de ces consignes réduit le risque de choc électrique.
- b. **Eviter le contact physique avec des surfaces mises à la terre telles que tuyaux, radiateurs, fours et réfrigérateurs.** Le risque de choc électrique augmente si votre corps est relié à la terre.
- c. **Ne pas exposer les outils électroportatifs à la pluie ou à l'humidité.** La pénétration d'eau dans un outil électroportatif augmente le risque de choc électrique.

- d. **Ne pas maltraiter le câble d'alimentation. Ne jamais utiliser le câble pour porter l'outil, et ne le tirez pas pour débrancher l'outil. Maintenir le câble éloigné des sources de chaleur, de la graisse, des bords coupants et des pièces en rotation.** Un câble endommagé ou emmêlé augmente le risque de choc électrique.
- e. **Lorsque vous utilisez l'outil électroportatif à l'extérieur, utilisez une rallonge homologuée pour une utilisation à l'extérieur.** L'utilisation d'une rallonge électrique homologuée pour les travaux à l'extérieur réduit le risque de choc électrique.
- f. **Si l'outil doit être utilisé dans un endroit humide, utilisez un dispositif différentiel à courant résiduel (DDR).** L'utilisation d'un tel dispositif réduit le risque de choc électrique.

#### 3. Sécurité personnelle

- a. **Restez vigilant, surveillez ce que vous faites et faites preuve de bon sens quand vous utilisez un outil. N'utilisez pas un outil électroportatif lorsque vous êtes fatigué ou après avoir consommé de l'alcool ou pris des médicaments.** Un moment d'inattention en utilisant l'outil peut entraîner de graves blessures.
- b. **Portez un équipement de protection. Portez toujours des lunettes de protection. Selon le travail à effectuer, le port d'un équipement de protection tel que masque anti-poussières, chaussures de sécurité antidérapantes, casque ou protection auditive, réduit le risque de blessures.**
- c. **Evitez tout démarrage imprévu. L'interrupteur de l'outil doit être en position d'arrêt (off) avant d'effectuer le branchement à l'alimentation et/ou au bloc batterie, de ramasser l'outil ou de le porter.** Porter ou brancher un outil électrique dont l'interrupteur est en position Marche (on) est une invite à l'accident.
- d. **Retirez les outils ou les clés de réglage avant de mettre l'outil en marche.** Une clé ou un outil se trouvant sur une partie en rotation peut causer des blessures.
- e. **Adoptez une position confortable. Adoptez une position stable et gardez votre équilibre en permanence.** Vous contrôlerez mieux l'outil dans des situations inattendues.
- f. **Portez des vêtements appropriés. Ne portez pas de vêtements amples ou de bijoux. N'approchez pas les cheveux, vêtements ou gants des pièces en mouvement.** Les vêtements amples, les bijoux ou les cheveux longs peuvent s'accrocher dans les pièces en mouvement.

g. En cas d'utilisation d'appareils servant à aspirer ou à recueillir les poussières, assurez-vous qu'ils sont correctement raccordés et utilisés. L'utilisation de tels dispositifs réduit les dangers dus aux poussières.

#### 4. Utilisation des outils électroportatifs et précautions

a. **Respectez la capacité de l'outil. Utilisez l'outil approprié pour le travail à effectuer.** Avec un outil approprié, vous travaillerez mieux et en toute sécurité.

b. **N'utilisez pas un outil électroportatif dont l'interrupteur marche/arrêt est défectueux.** Un outil électroportatif qui ne répond pas à la commande marche/arrêt est dangereux et doit être réparé.

c. **Retirez la fiche de la prise de courant et/ou débranchez le bloc-batterie avant d'effectuer des réglages, de changer les accessoires ou de ranger l'outil.** Cette mesure de précaution empêche de mettre l'outil en marche accidentellement.

d. **Rangez les outils électroportatifs hors de la portée des enfants et les personnes ne connaissant pas l'outil ne doivent en aucun cas l'utiliser.** Les outils électroportatifs sont dangereux lorsqu'ils sont utilisés par des personnes non initiées.

e. **Entretenez les outils électroportatifs. Vérifiez que les parties en mouvement fonctionnent correctement et qu'elles ne sont pas coincées. Vérifiez qu'il n'y a pas de pièces cassées ou endommagées susceptibles de nuire au bon fonctionnement de l'outil. S'il est endommagé, faites réparer l'outil avant de l'utiliser.** De nombreux accidents sont la conséquence d'outils mal entretenus.

f. **Les outils de coupe doivent toujours être aiguisés et propres.** Des outils soigneusement entretenus avec des bords tranchants bien aiguisés se coincent moins souvent et peuvent être guidés plus facilement.

g. **Utilisez l'outil électroportatif, les accessoires et les forets, etc., conformément à ces instructions, en tenant compte des conditions de travail et des tâches à effectuer.** L'utilisation des outils électroportatifs à d'autres fins que celles prévues peut entraîner des situations dangereuses

#### 5. Réparations

a. Faites réparer votre outil électroportatif uniquement par du personnel qualifié et seulement avec des pièces de rechange appropriées. Cela garantira le maintien de la sécurité de votre outil.

### Précautions de sécurité pour le marteau

- **Portez des protecteurs auditifs.** L'exposition au bruit peut causer une perte de l'acuité auditive.
- **Utilisez la ou les poignées auxiliaires, si fournies avec l'outil.** Vous risquez de vous blesser si vous perdez le contrôle.
- **Tenez l'outil électrique par les surfaces de prise isolées quand l'accessoire de coupe risque d'entrer en contact avec un fil électrique caché ou son propre cordon.** Si l'accessoire de coupe entre en contact avec un fil sous tension il peut «électrifier» les parties métalliques exposées et donner une décharge électrique à l'utilisateur.
- N'utilisez jamais un accessoire de burinage en mode rotatif. L'accessoire va s'attacher au matériau et fera tourner la perceuse.
- Utilisez un dispositif de serrage ou tout autre moyen pratique pour maintenir et soutenir la pièce à travailler sur une plateforme stable. Si vous tenez la pièce à travailler à la main ou contre votre corps elle ne sera pas stable et vous risquez de perdre le contrôle.
- Avant de percer un mur, un sol ou un plafond, vérifiez l'emplacement des câbles électriques et des tuyaux.
- Évitez de toucher la pointe d'un foret juste après avoir percé, car elle peut être brûlante.
- L'usage pour lequel cet outil est conçu est décrit dans ce mode d'emploi. Si avec cet outil vous utilisez un accessoire ou un attachement ou faites des travaux autres que ceux recommandés dans ce manuel, vous risquez de vous blesser et/ou causer des dommages matériels.

### Sécurité d'autrui

- Cet appareil ne doit pas être utilisé par des personnes (y compris les enfants) ayant des déficiences physiques, sensorielles ou mentales. Cette consigne s'applique aussi aux personnes manquant d'expérience et de connaissance du matériel, à moins que celles-ci n'aient reçu les instructions appropriées ou ne soient encadrées par une personne responsable de leur sécurité pour utiliser l'appareil.
- Ne laissez jamais les enfants sans surveillance pour éviter qu'ils ne jouent avec cet appareil.

## Risques résiduels.

L'utilisation d'un outil peut entraîner des risques résiduels supplémentaires non mentionnés dans les consignes de sécurité. Ces risques peuvent survenir si l'outil est mal utilisé, si l'utilisation est prolongée, etc. Malgré l'application des normes de sécurité correspondantes et la présence de dispositifs de sécurité, certains risques résiduels ne peuvent être évités. Ceci comprend:

- Les blessures dues au contact avec une pièce mobile/en rotation.
- Les blessures causées en changeant les pièces, lames ou accessoires.
- Les blessures dues à l'utilisation prolongée d'un outil. Une utilisation prolongée d'un outil nécessite des pauses régulières.
- La déficience auditive.
- Les risques pour la santé causés par l'inhalation de poussières produites pendant l'utilisation de l'outil (par exemple: le travail du bois, surtout le chêne, le hêtre et les panneaux en MDF).

## Étiquettes apposées sur l'outil

L'étiquette apposée sur votre outil peut contenir les symboles suivants:



Lire le manuel d'instructions



Utiliser une protection oculaire



Utiliser des protections auditives


V ..... Volts

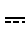
A ..... Ampères

Hz ..... Hertz

W ..... Watts

min ..... minutes

 Courant alternatif

 Courant continu

n<sub>0</sub> ..... Vitesse à vide



..... Construction de classe II



..... Borne de terre



..... Symbole d'alerte de sécurité



.../min.. Rotations par minute

## Position of date barcode

Le code de la date, comprenant aussi l'année de fabrication, est imprimé sur le boîtier de l'outil.

Exemple:

2014 XX JN

Année de fabrication

## Sécurité électrique



Cet outil électrique est doublement isolé, une mise à la terre n'est donc pas nécessaire. Veuillez vérifier si la tension de l'alimentation électrique correspond à la tension indiquée sur la plaque signalétique.

- Si le fil électrique est endommagé, il doit être remplacé par le fabricant ou un centre de réparation agréé par STANLEY afin d'éviter tout danger.

## Nom des pièces

L'outil électrique comprend certains ou tous les éléments suivants:

1. Interrupteur
2. Bouchon de l'injecteur d'huile
3. Sélecteur de mode
4. Mandrin (porte-outil)
5. Manchon
6. Poignée latérale
7. Butée de profondeur
8. Couverture inférieur

## Montage

**Attention!** Avant le montage, veuillez vous assurer que l'outil électrique est hors tension et que la prise électrique de l'outil est débranchée de la source d'alimentation électrique.

### Installer la poignée latérale

**Attention!** Quand vous percez des trous dans le béton, la brique et d'autres surfaces, tenez fermement la poignée latérale pour une opération en toute sécurité.

- La poignée latérale (6) peut se tourner de tous les côtés, ce qui facilite l'utilisation de l'outil électrique dans n'importe quelle position.
- Tournez la poignée latérale (6) dans le sens antihoraire pour déverrouiller et dégager l'outil électrique, puis tournez-la dans la position désirée.
- Tournez la poignée latérale dans le sens horaire jusqu'à ce qu'elle soit serrée de façon adéquate.

### Monter un accessoire (Fig. A)

- Nettoyez la tige de la perceuse et lubrifiez le foret avant de l'installer.
- Tirez et maintenez en arrière le fourreau de protection (5), puis vissez le foret dans le mandrin, appuyez dessus à l'intérieur jusqu'à ce qu'il soit fixé, le foret se verrouille automatiquement in situ. Tirez le foret vers l'extérieur pour tester s'il est bien verrouillé ou non, dans la position correcte.
- Tirez et maintenez en arrière l'étrier du guide-mèche (5), vous pourrez enlever le foret.

## Utilisation

**Attention!** Utilisez l'outil électrique avec une charge normale; une surcharge n'est pas autorisée.

**Attention!** Avant de percer un mur, un sol ou un plafond, vérifiez la position du cordon électrique et du tube en acier.

### Ébarbage / Burinage (Fig. B)

- Quand vous effectuez une opération de découpage / ébavurage / dénudage, mettez le sélecteur de mode de fonctionnement (3) sur la position **T**, le foret, le burin, le ciseau etc. doivent être correctement utilisés.

**Attention!** Ne tournez pas le bouton sélecteur quand l'outil électrique est en marche, cela va l'endommager.

### Perçage à percussion (Fig. B)

- Quand vous utilisez le marteau piqueur pour faire des trous dans les surfaces en maçonnerie et en béton, le sélecteur de mode de fonctionnement (3) doit être mis dans la bonne position **T1**.
- Le foret devra être aligné sur la position de perçage, puis appuyez sur le commutateur à gâchette de façon à obtenir le meilleur effet. Gardez l'outil électrique correctement positionné, évitez qu'il dévie dans le trou.
- Quand des fragments ou de la poudre bouchent le trou foré, n'appliquez pas plus de pression mais laissez tourner l'outil au ralenti, puis sortez le foret du trou petit à petit. Répétez cette manœuvre plusieurs fois, le trou bouché peut ainsi être dégagé, puis continuez le perçage normal.

**Attention!** Quand le foret commence à casser le béton renforcé ou touche une tige d'acier dans le béton, l'outil électrique peut avoir une dangereuse réaction de force. Veillez à toujours avoir un bon équilibre, une posture stable et tenez l'outil fermement afin d'éviter de provoquer une dangereuse réaction de force. Quand le béton est buriné, la distance entre les deux points de burinage ne doit pas être trop loin du bord, elle doit être d'environ 8cm, définissez la distance en trouvant la résistance à la séparation du béton.

### Dispositif d'accouplement de surcharge

Si le foret est bloqué ou accroché, la force d'entraînement transmise à l'arbre de la perceuse sera stoppée. Cela provoquera une force énorme, et il faut donc tenir l'outil électrique fermement à deux mains quand il est en marche, et l'opérateur doit veiller à toujours se tenir dans une position stable et ferme.

### Sélection de la profondeur des trous à forer (Fig. C)

La jauge de profondeur est une règle dont l'utilisation est commode pour s'assurer que la profondeur reste constante. Déverrouillez la poignée latérale, réglez la profondeur de la

jauge à la distance requise, puis resserrez la poignée latérale.

- Détachez la poignée latérale (6) en tournant la prise dans le sens antihoraire.
- Réglez la butée de profondeur (7) sur la position désirée. La profondeur maximale du trou foré sera égale à la distance entre la pointe du foret et l'extrémité frontale de la butée de profondeur.
- Resserrez la poignée latérale en tournant surface de prise dans le sens horaire.

### Marche/Arrêt

**Attention!** Avant de brancher la prise, veuillez vérifier si le commutateur à gâchette peut se déclencher facilement ou non, s'il revient à sa position originale après l'avoir relâché.

- Appuyez sur le commutateur à gâchette (1), l'outil électrique démarre immédiatement.
- Relâchez la gâchette (1), l'outil s'arrête de tourner.

### Accessoires

La performance d'un outil électrique dépend de ses accessoires. Les accessoires STANLEY sont conçus avec un très haut standard de qualité afin d'accroître la performance de l'outil électrique. Ces accessoires peuvent vous aider à travailler plus commodément avec votre outil.

### Entretien

Les appareils / outils STANLEY, sur secteur ou sans fil, sont d'une conception sophistiquée, ils peuvent servir pendant très longtemps et ils ont besoin de peu d'entretien. Pour un usage prolongé satisfaisant, un bon entretien et un nettoyage régulier des outils sont nécessaires.

**Attention!** Avant de faire l'entretien d'outils électriques sur secteur ou sans fil, observez les points suivants:

- Mettez l'équipement / l'outil hors tension et débranchez la prise;
- Si l'équipement / l'outil est équipé d'un bloc batterie indépendant, mettez-le hors tension et enlevez le bloc batterie de l'équipement / de l'outil.
- Si l'équipement / l'outil est équipé d'une batterie intégrée, déchargez la batterie avant de l'éteindre.

- Avant de le nettoyer, débranchez le chargeur de son alimentation électrique. Sinon, excepté nettoyer régulièrement votre chargeur, aucun autre entretien n'est requis.
- Nettoyez régulièrement les fentes de ventilation de l'équipement / des outils / du chargeur avec une brosse douce ou un chiffon sec.
- Nettoyez régulièrement le boîtier du moteur avec un chiffon humide. Veuillez ne pas utiliser de produit nettoyant abrasif ou à base de solvant.
- Ouvrez régulièrement le mandrin et tapotez-le doucement pour enlever les poussières qui peuvent se trouver à l'intérieur (après installation).

## Remplacement des balais de carbone (Fig. E)



### Lubrification

- Remplacez et vérifiez régulièrement les balais de carbone. Remplacez-les à temps, dès qu'ils sont usés jusqu'à la limite d'abrasion. Veillez à ce que les balais de carbone soient propres et puissent glisser facilement sur la portée du balayage. Les deux balais doivent être remplacés en même temps.
- Servez-vous d'un tournevis cruciforme dans le sens antihoraire pour dévisser les vis, ouvrez le couvercle inférieur (8) avec un tournevis plat pour ouvrir la protection des balais (9) dans le sens antihoraire, vous pouvez alors enlever les balais (10) comme illustré à la figure E, mettre en place les balais neufs, fixer la protection des balais (9) dans le sens horaire, et finalement remettre le couvercle inférieur (8), puis servez-vous du tournevis cruciforme pour le serrer correctement.
- Ouvrez le bouchon de l'injecteur d'huile de graissage (2), vérifiez l'huile de graissage de la boîte de vitesses, si l'huile de graissage est sale ou insuffisante, remplacez-la ou rétablissez le niveau en ajoutant l'huile de graissage fournie par le fabricant.



### Nettoyage

**Attention!** Dès qu'une accumulation de poussière est visible sur et/ou autour des fentes de ventilation, enlevez immédiatement la poussière et la poudre déposées dans le boîtier avec de l'air comprimé sec. Pour cette procédure, portez l'équipement de sécurité approuvé et un masque anti-poussière.

**Attention!** Il est formellement interdit de nettoyer les parties non métalliques de l'outil avec des solvants ou d'autres produits chimiques irritants. Ces produits chimiques peuvent affaiblir les matériaux de ces pièces. Utilisez un chiffon trempé dans de l'eau légèrement savonneuse pour les nettoyer. Ne laissez aucune substance s'imprégner dans l'outil et n'immergez aucune pièce de l'outil dans un liquide.

## Données techniques

Marteau		STHR272
Alimentation électrique	W	850
Vitesse à vide	/min	700
Fréquence d'impact	BPM	3400
Puissance d'impact (EPTA)	J	4.1
Modes		2
Capacité maxi		
Béton	mm	26
Acier	mm	-
Bois	mm	-
Poids	kg	5.1

## Protection de l'environnement



Collecte sélective. Ne pas jeter cet appareil avec les ordures ménagères.

Si vous devez remplacer un appareil Stanley ou si vous ne l'utilisez plus, ne le jetez pas avec les ordures ménagères, mais dans les conteneurs de collecte sélective.



La collecte sélective des produits et des emballages usagés permet de recycler et de réutiliser leurs matériaux. La réutilisation de matériaux recyclés aide à protéger l'environnement contre la pollution et à réduire la demande en matières premières.

Les réglementations locales peuvent proposer la collecte sélective des appareils électriques ménagers, dans des déchetteries municipales ou par le revendeur lorsque vous achetez un nouvel appareil. Stanley dispose d'installations pour la collecte et le recyclage des produits Stanley en fin de vie. Pour profiter de ce service, veuillez rapporter votre appareil auprès d'un centre de réparation agréé qui se chargera de le collecter en notre nom.

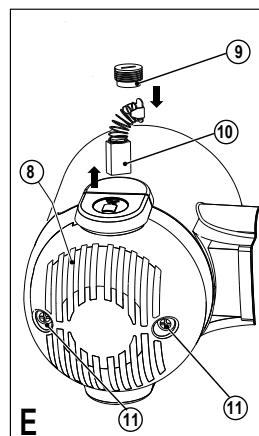
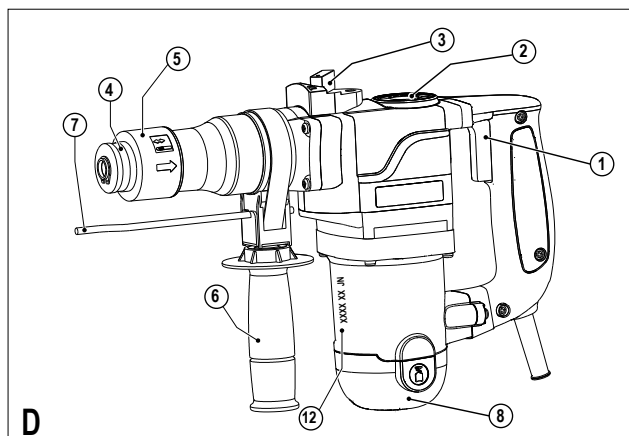
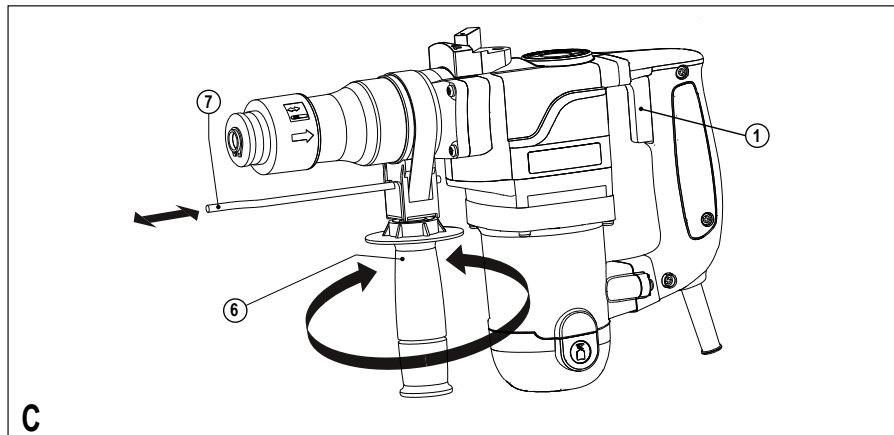
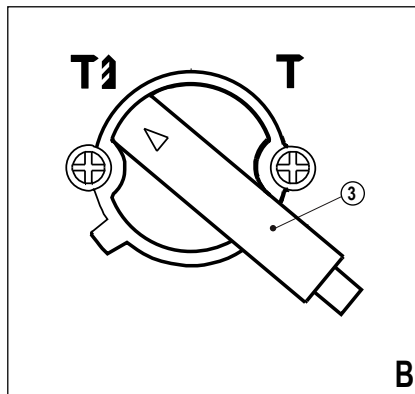
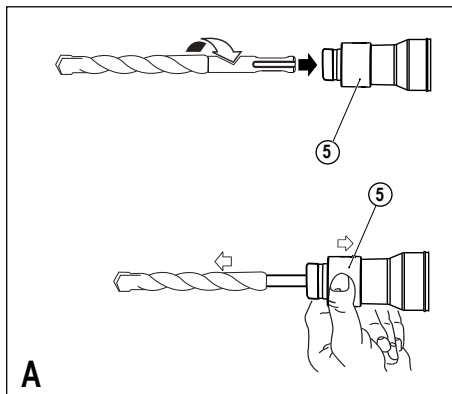
Pour connaître l'adresse d'un centre de réparation agréé près de chez vous, contactez votre distributeur Stanley à l'adresse indiquée dans ce manuel, ou consultez la liste des centres de réparation agréés Stanley et tout renseignement complémentaire sur notre service après-vente sur le site internet à l'adresse: [www.2helpU.com](http://www.2helpU.com).

## Garantie deux

Si votre appareil STANLEY s'avère défectueux en raison d'un vice de matériau ou de fabrication dans les 24 mois à compter de sa date d'achat, STANLEY Europe garantit le remplacement gratuit de toute pièce défectueuse ou – à notre entière discrétion – le remplacement gratuit de l'appareil, à condition que:

- L'appareil n'ait pas été utilisé avec négligence et qu'il ait été utilisé en suivant les instructions contenues dans ce manuel.
- L'appareil ait été soumis à une usure normale;
- Aucune réparation n'ait été effectuée par du personnel non autorisé;
- Une preuve d'achat soit fournie.
- L'appareil STANLEY soit retourné complet, avec l'ensemble de ses composants originaux.

Pour avoir recours à la garantie, contactez votre revendeur ou consultez l'emplacement du centre de réparation agréé Stanley le plus proche dans le catalogue, ou contactez le service clientèle Stanley à l'adresse indiquée dans ce manuel. Une liste des centres de réparation agréés Stanley et tout détail complémentaire concernant notre service après-vente sont à votre disposition sur notre site internet : [www.stanleytools.com](http://www.stanleytools.com)



\* A imagem acima pode ser ligeiramente diferente para unidade real.



## Utilização prevista

O seu martelo STANLEY foi projetado para perfurar betão e alvenaria, bem como para aplicações de cinzelagem leves.

## Instruções de segurança

### Aviso de segurança geral de ferramenta elétrica



**Aviso! Ler e compreender todas as instruções.** A falha em seguir todas as instruções listadas em baixo podem resultar em choque, incêndio e/ou grave lesão pessoal.

#### Guarde todos estes avisos para futura consulta.

O termo “ferramenta elétrica” em todos os avisos em baixo listados refere-se aos meios operados (por cabo) da ferramenta elétrica ou ferramenta elétrica alimentada a bateria (sem fios).

#### 1. Segurança de área de trabalho

- Manter a área de trabalho limpa e bem iluminada.** Áreas desordenadas ou escuras são propícias a acidentes.
- Não operar as ferramentas elétricas em atmosferas explosivas, tais como na presença de materiais, gases ou poeiras.** Ferramentas elétricas podem causar faíscas que acendam a poeira ou fumos.
- Manter as crianças e transeuntes longe quando operar uma ferramenta elétrica.** Distrações podem-no fazer perder o controlo.

#### 2. Segurança elétrica

- As fichas das ferramentas elétricas devem ser iguais às das tomadas. Nunca modifique de qualquer forma a ficha. Não usar quaisquer fichas com ferramentas elétricas com ligação à terra (terra).** Fichas não modificadas e tomadas condizentes reduziram o risco de choque elétrico.
- Evite o contacto físico com superfícies ligadas à terra tais como tubos, radiadores, conteúdos e frigoríficos.** Existe um risco maior de choque elétrico se o seu corpo estiver ligado à terra ou chão.
- Não exponha as ferramentas elétricas a condições chuvosas ou húmidas.** Água que entre numa ferramenta elétrica aumentará o risco de choque elétrico.

- Não abuse do fio. Nunca use o fio para carregar, puxar ou desligar a ferramenta elétrica. Mantenha o fio longe do calor, óleo, pontas afiadas ou partes móveis.** Fios danificados ou entrelaçados aumentam o risco de choque elétrico.
- Quando operar uma ferramenta elétrica no exterior, use um fio de extensão adequado para uso exterior.** O uso de um fio apropriado para uso exterior reduz o risco de choque elétrico.
- Se o uso de uma ferramenta elétrica num local húmido não for inevitável, use uma fonte protegida de dispositivo de corrente residual (DCR).** O uso de DCR reduz o risco de choque elétrico. Aviso: O termo “Dispositivo de Corrente Residual (DCR)” pode ser substituído por Disjuntor (D) ou por “Disjuntor Diferencial (DD)”.

#### 3. Segurança pessoal

- Esteja atento, tenha atenção ao que está a fazer e use o senso comum quando operar uma ferramenta elétrica. Não use ferramentas elétricas quando estiver cansado ou sob influência de drogas, álcool ou medicação.** Uma desatenção enquanto opera uma ferramenta elétrica pode causar graves danos pessoais.
- Use equipamento de proteção pessoal. Use sempre proteção ocular.** Equipamento protetor tal como máscara de poeiras, calçado anti derrapagem, capacete, ou proteção auditiva usada para as condições apropriadas de poeiras, calçado anti derrapagem, capacete, ou proteção auditiva usada para as condições apropriadas reduzirá o risco de lesões pessoais.
- Previna arranque indesejado. Assegure-se que o interruptor está na posição “off” antes de ligar à fonte de energia e/ou pilhas, ao pegar ou carregar a ferramenta.** Carregar ferramentas elétricas com o seu dedo no interruptor ou alimentar ferramentas elétricas que têm o interruptor ligado propiciam os acidentes.
- Remova qualquer chave de ajuste ou chave antes de ligar a ferramenta elétrica.** Uma chave deixada presa à peça em rotação pode resultar em lesões pessoais.
- Não se exceda. Mantenha sempre a posição de pés adequada e equilíbrio.** Isto permite um melhor controlo da ferramenta elétrica em situações inesperadas.
- Vista-se apropriadamente. Não use roupas largas ou joias. Mantenha o seu cabelo, vestuário e luvas longe das partes em movimento.** Vestuário largo, joias ou cabelo comprido podem ficar presos nas peças em movimento.

- g. Se são fornecidos dispositivos para a coleção ou extração de poeiras e instalações de coleção, assegure-se que estes estão ligados e são usados apropriadamente. Uso da recolha de poeira pode reduzir o risco de perigos relacionados com a poeira.

#### 4. Uso e cuidado da ferramenta elétrica

- a. **Não force a ferramenta elétrica. Use a ferramenta elétrica correta para a sua tarefa.** A ferramenta elétrica correta fará o trabalho melhor de forma mais segura à medida para a qual foi desenhada.

- b. **Não use a ferramenta elétrica se o interruptor não a ligar ou desligar.** Qualquer ferramenta elétrica que não possa ser controlada com o interruptor é perigosa e deve ser reparada.

- c. **Desligue a ficha da fonte de energia e/ou pilha da ferramenta elétrica antes de fazer qualquer ajuste mudar acessórios ou guardar as ferramentas elétricas.** Tais medidas preventivas reduzem o risco de ligar a ferramenta elétrica acidentalmente.

- d. **Guarde ferramentas elétrica inativas fora do alcance das crianças e não permita a pessoas não familiarizadas com as ferramentas elétricas a operar a ferramenta elétrica.** Ferramentas elétricas são perigosas nas mãos de utilizadores não preparados.

- e. **Reveja as ferramentas elétricas. Verifique se há desalinhamento ou ligação das peças móveis, se as peças quebraram e quaisquer outras condições que possam afetar a operação das ferramentas elétricas.** Muitos acidentes são causados por ferramentas elétricas mal revistas.

- f. **Mantenha as ferramentas de corte afiadas e limpas.** Ferramentas de corte devidamente revistas com superfícies de corte afiadas têm menos probabilidades de ligar e mais fáceis de controlar.

- g. **Utilize a ferramenta elétrica, os acessórios e as brocas, etc., de acordo com estas instruções e tendo em atenção as condições de trabalho e o trabalho a ser executado.** A utilização de ferramenta elétrica para diferentes operações das indicadas pode resultar numa situação perigosa.

#### 5. Manutenção

- a. **Mantenha a sua ferramenta elétrica revista por uma pessoa especializada de reparações usando só**

**peças de substituição idênticas.** Isto assegurará que a segurança da ferramenta elétrica está mantida.

#### Avisos de segurança do martelo

- Usar protetores auriculares. A exposição ao ruído pode causar perda de audição.
- Utilize os manipuladores auxiliares se fornecidos com a ferramenta. A perda de controlo pode causar lesões pessoais.
- Mantenha a ferramenta elétrica em superfícies aderentes isoladas quando efetuar uma operação em que o acessório de corte possa entrar em contacto com fios escondidos ou com o seu próprio cabo. O acessório de corte ao entrar em contacto com um fio «sob tensão» pode expor partes de metal da ferramenta elétrica «sob tensão» e provocar um choque elétrico no operador.
- Nunca utilize um acessório cinzel em modo rotativo. O acessório irá ligar no material e girar a broca.
- Utilize grampos ou outra maneira prática de segurar e apoiar a peça de trabalho numa plataforma estável. Segurar a peça na mão ou contra o seu corpo torna-a instável e pode provocar perda de controlo.
- Antes de furar as paredes, chãos ou tetos, verifique a localização de fios e tubos.
- Evite tocar na ponta da broca após furar, pois pode estar quente.
- A utilização prevista está descrita neste manual de instruções. A utilização de qualquer acessório ou peça anexa ou a realização de quaisquer operações com esta ferramenta que não as recomendadas neste manual de instruções podem representar um risco de lesões pessoais e/ou danos na propriedade.

#### Segurança de outras pessoas

- Este aparelho não se destina a ser utilizado por pessoas (incluindo crianças) com deficiência física, sensorial ou mental, ou falta de experiência e conhecimento, a não ser que seja prestada supervisão ou instruções relativas à utilização do aparelho por parte de uma pessoa responsável pela sua segurança.
- As crianças deverão ser vigiadas de modo a garantir que não brincam com o aparelho.







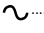
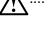
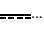

## Riscos residuais

Podem surgir riscos residuais adicionais quando utiliza a ferramenta que podem não estar incluídos nos avisos de segurança anexos. Estes riscos podem ocorrer da má utilização, utilização prolongada, etc. Mesmo com a aplicação das regras de segurança relevantes e a implementação de dispositivos de segurança, certos riscos residuais não podem ser evitados. Estes incluem:

- Lesões causadas por tocar em peças rotativas/móveis.
- Lesões causadas quando substitui quaisquer peças, lâminas ou acessórios.
- Lesões causadas por utilização prolongada de uma ferramenta. Quando utiliza uma ferramenta por períodos prolongados, certifique-se de que faz intervalos regulares.
- Diminuição de audição.
- Os perigos de saúde causados por respirar a poeira desenvolvida quando utiliza a sua ferramenta (por exemplo: trabalhar com madeira, especialmente carvalho, faia e MDF.)

## Etiquetas na ferramenta

A etiqueta na sua ferramenta pode incluir os seguintes símbolos:

	Ler Manual de Instruções	Hz ..... Hertz		Classe II Construção
	Usar proteção ocular	W ..... Watts		Símbolo de Aviso de
	Usar proteção auditiva	min ..... minutos		Terminal de Ligação à Terra
V ..... Volts				Rotações ou Reciprocções por minuto
A ..... Amperes			.../min..	
				
		$n_0$ ..... Velocidade em vazio		


## Posição do código de barras de dados

O código de Dados, que também inclui o ano de fabrico, é impresso na carcaça.

Exemplo:

2014 XX JN  
Ano de Fabrico

## Segurança elétrica

 Medidas de isolamento duplo são tomadas nesta ferramenta elétrica de forma a que nenhuma ligação à terra seja necessária. Por favor, verifique se a tensão de alimentação fornecida é consistente com a tensão na placa de identificação ou não.

- Se o fio estiver danificado, deve ser substituído pelo fabricante ou um centro de serviço autorizado pela STANLEY, para evitar o perigo.

## Nome da peça

A ferramenta elétrica inclui algumas ou todas das seguintes partes:

1. Interruptor
2. Tampa de entrada de óleo por injeção
3. Seletor de modo
4. Bucha da ferramenta (porta ferramenta)
5. Manga
6. Manipulo lateral
7. Limitador de profundidade
8. Tampa inferior

## Montagem

**Aviso!** Antes da montagem, certifique-se de que a ferramenta elétrica está desligada e a ficha de alimentação da ferramenta está desligada da fonte de alimentação.

## Instale o manipulador lateral

**Aviso!** Quando os orifícios são feitos no cimento, tijolos e outras superfícies, por favor, prenda o manipulador lateral para garantir uma operação segura.

- O manipulador lateral (6) pode ser rodado para qualquer lado, o que pode facilitar a utilização da ferramenta elétrica em qualquer posição.
- Rode o manipulador lateral (6) no sentido anti-horário, para desbloquear e libertar a ferramenta elétrica, rode-o para a posição desejada.
- Rodar o manipulador lateral no sentido horário para o apertar de forma adequada.

## Encaixar um acessório (Fig. A)

- Por favor, limpe o encabadouro da broca e lubrifique a ponta da broca antes de a instalar.
- Faça recuar e segure a manga-corrediça (5), e depois aperte a ponta da broca na bucha, pressione-a internamente até estar apertada, a ponta da broca pode ser automaticamente bloqueada no local. Puxe a broca para fora para testar se foi bloqueada adequadamente na posição correta ou não.
- Faça recuar e segure o grampo (5) da manga da broca, pode remover a ponta da broca.

## Utilização

**Aviso!** Por favor, utilize a ferramenta elétrica com carga normal; não é permitida nenhuma sobrecarga.

**Aviso!** Antes de fazer furos na parede, teto ou chão, por favor, verifique as posições do fio e tubo de aço.

### Lascamento/Cinzelagem (Fig. B)

- Quando o corte/remoção/operação de remover é conduzida, por favor, coloque o seletor de modos de operação (3) para posição **T**, a ponta de perfuração, o cinzel frio e o cinzel de ampliação, etc., deverão ser usados corretamente.

**Aviso!** Não rodar o botão quando a ferramenta elétrica está a rodar sob a carga, caso contrário ficará danificado.

### Martelo de perfuração (Fig. B)

- Quando utiliza o martelo perfurador para fazer furos em superfícies de alvenaria e cimento, o seletor (3) do modo de operação deve estar fixado na posição **T1**.
- A ponta da broca deve ser alinhada com a posição de perfuração e depois pressione o interruptor para alcançar o melhor efeito. Mantenha a ferramenta elétrica corretamente posicionada, impede de se desviar do orifício.
- Quando os fragmentos integram o furo ou pós, por favor, não aplique mais pressão, e faça rodar a ferramenta em marcha lenta, depois retire gradualmente a ponta de perfuração do orifício. Repita as etapas referidas por diversas vezes, o orifício ligado pode ser limpo e em seguida retome a perfuração normal.

**Aviso!** Quando a ponta de perfuração começa a quebrar o cimento armado ou bate na barra de aço no interior do cimento, a ferramenta elétrica pode ter força de reação perigosa. Por favor, mantenha sempre o equilíbrio, postura estável e a aderência firme da ferramenta, para evitar gerar a força de reação perigosa. Quando o cimento é esculpido, a distância entre os dois pontos de uma cinzelagem escarificação não deve ser demasiado longe da borda, o qual deve estar a cerca de 8 centímetros ou mais, definem a distância ao encontrar a resistência a fratura do cimento.

### Dispositivo de engate de sobrecarga

Se a ponta de perfuração está presa ou em ligação, a força motriz transmitida ao eixo da broca será cortado. Uma força enorme ocorrerá, então as duas mãos devem agarrar com firmeza a ferramenta elétrica quando estiver em funcionamento e assegurar que o operador está de pé numa posição fixa estável.

### Selecione a profundidade dos orifícios a serem perfurados (Fig. C)

Um calibrador de profundidade é uma régua fácil de usar para garantir que a profundidade de perfuração é consistente. Desbloqueie o manípulo lateral, ajuste o calibrador de profundidade de acordo com a profundidade necessária e depois aperte o manípulo lateral.

- Solte o manípulo lateral (6) rodando no sentido anti-horário o engate.
- Fixe o limitador de profundidade (7) para a posição desejada. A profundidade máxima do orifício perfurado deverá ser igual à distância entre a ponta da broca e a extremidade frontal do limitador de profundidade.
- Aperte o manípulo lateral girando o engate no sentido horário.

### Ligar e desligar

**Aviso!** Antes de inserir a ficha, por favor confirme se o interruptor pode disparar livremente ou não, se ele pode retornar à posição original depois de libertar.

- Pressione o interruptor (1), a ferramenta elétrica pode ser iniciada de imediato.
- Solte o botão (1), a ferramenta para de rodar.

### Acessórios

O desempenho de uma ferramenta elétrica depende dos seus acessórios. Os acessórios STANLEY são projetados de acordo com os padrões de alta qualidade para melhorar o desempenho da ferramenta elétrica. A utilização destes acessórios pode ajudá-lo a operar a ferramenta de forma conveniente.

### Manutenção

Os aparelhos com fio STANLEY/sem fio/as ferramentas são de design sofisticado, podem ser utilizadas por um longo período de tempo e só é necessária pouca manutenção. Para obter uma utilização satisfatória consistente é necessária uma manutenção e limpeza regular das ferramentas.

**Aviso!** Antes de realizar qualquer trabalho de manutenção no cabo/ ferramentas elétricas sem fios devem ser implementados os seguintes pontos:

- Desligue a corrente do equipamento/ferramentas e retire da tomada;
- Se o equipamento/ferramentas estão equipados com um bloco de baterias independente, por favor, desligue a corrente e remova o bloco de baterias do equipamento/ferramentas.
- Se o equipamento/ferramentas estão equipados com uma bateria integrada, por favor, retire a bateria antes de desligar a sua corrente.
- Antes da limpeza, desligue o carregador da fonte de alimentação. Além disso, com exceção da limpeza regular do seu carregador, não é necessário nenhum outro tipo de manutenção.
- Utilize regularmente a escova macia ou pano seco para limpar a ranhura de ventilação do equipamento/ferramentas/ carregador.
- Utilize regularmente um pano húmido para limpar o corpo do motor. Por favor, não utilize produtos de limpeza abrasivos ou produtos de limpeza à base de solvente.
- Abra a bucha de fixação regularmente e bata levemente nele para remover qualquer sujidade do interior (depois da instalação).

### Substitua as escovas de carvão (Fig. E)



#### Lubrificação

- Substitua e verifique regularmente as escovas de carbono. Substitua-o dentro do prazo quando é desgastado para a linha de fronteira abrasiva. Mantenha a escova de carvão limpa e faça-a deslizar livremente na faixa escovagem. Deverão ser substituídas duas escovas em simultâneo.
- Utilize a chave de fendas cruzada para desapertar no sentido anti-horário os parafusos, abra a tampa inferior (8) com uma chave de fendas lisa para no sentido anti-horário abrir a tampa da escova (9), pode remover a escova (10) como mostrado na figura E, e coloque a escova nova e depois, no sentido dos ponteiros do relógio, aperte a tampa da escova (9), finalmente colocar a tampa inferior (8) e, em seguida, utilize a chave de fendas cruzada para a apertar corretamente.
- Abra a tampa da entrada de óleo lubrificante por injeção

(2), verifique o óleo lubrificante na caixa de velocidades, se o óleo lubrificante está sujo ou é insuficiente, substitua ou adicione a quantidade adequada de óleo lubrificante fornecido pela empresa.



#### Limpeza

**Aviso!** Uma vez que o pó acumulado visível é encontrado em e/ou à volta das portas de ventilação, imediatamente enxague a poeira e pó dentro da cuba de acolhimento com ar seco e limpo. Para executar este procedimento, utilize o equipamento de segurança aprovado e máscara de pó.

**Aviso!** É estritamente proibido limpar as partes não metálicas da ferramenta com os solventes ou outros produtos químicos irritantes. Estes produtos químicos podem enfraquecer os materiais destes componentes. Utilize um pano humedecido com uma água com sabão neutro para o limpar. Nunca permita que qualquer substância penetre na ferramenta e nunca emergir qualquer peça da ferramenta em líquido.

#### Dados técnicos

Martelo		STHR272
Potência de entrada	W	850
Velocidade em vazio	/min	700
Taxa de impacto	BPM	3400
Energia de impacto (EPTA)	J	4,1
Modos		2
Capacidade max.		
Cimento	mm	26
Aço	mm	-
Madeira	mm	-
Peso	kg	5,1

## Protegendo o ambiente



Recolha separada. Este produto não deve ser descartado com o resto do lixo caseiro normal.

Se encontrar que um dia o seu produto Stanley precisa de substituição, ou se já não tem mais uso para si, não o descarte com o resto de lixo caseiro normal. Disponibilize este produto para recolha separada.



Recolha separada dos produtos usados e embalagens permite que os materiais sejam reciclados e usados de novo. Reutilizar materiais reciclados ajuda a prevenir poluição ambiental e reduz a necessidade de matéria-prima.

Leis locais podem fornecer recolha separada de produtos elétricos das casas, em sítios de resíduos municipais ou no vendedor quando você compra um novo produto. Stanley oferece uma instalação para a recolha e reciclagem de produtos Stanley uma vez que estes atingiram o fim da sua vida útil. Para desfrutar deste serviço por favor devolva o seu produto a qualquer agente autorizado de reparações que os recolherá em nosso nome.

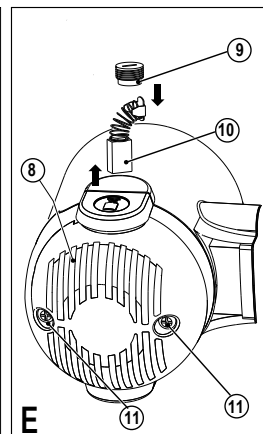
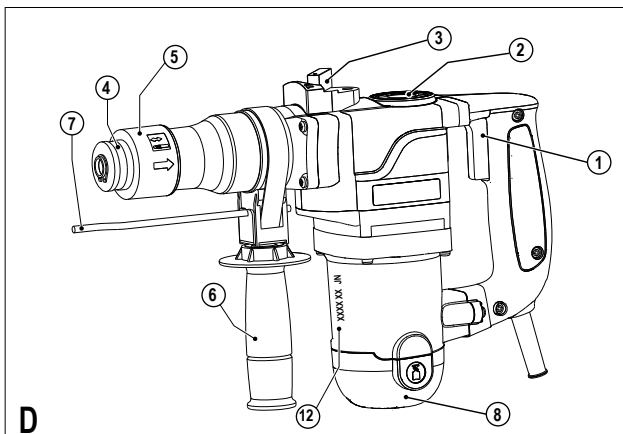
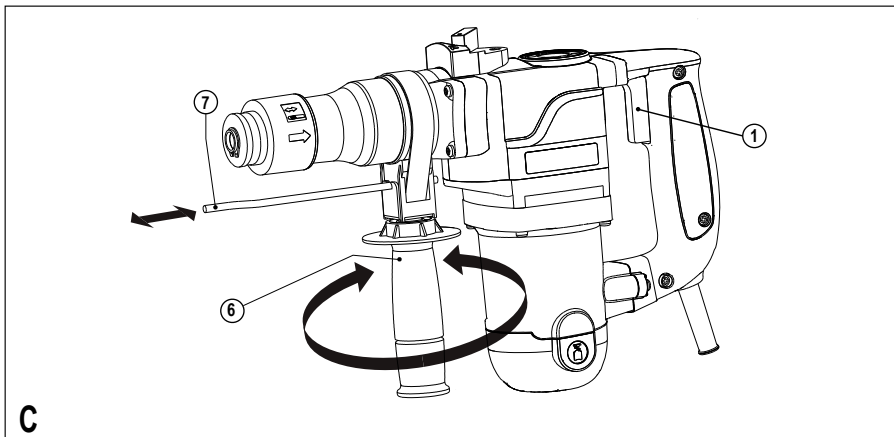
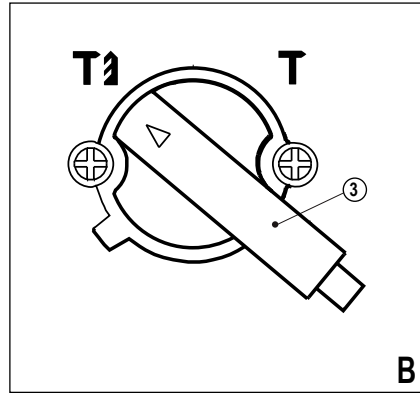
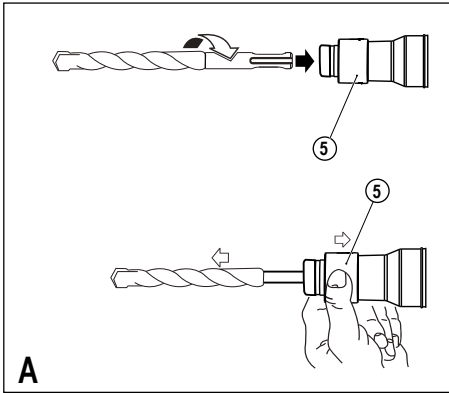
Você pode verificar a localização do seu agente de reparações autorizado mais próximo contactando o seu escritório local Stanley no endereço indicado neste manual. Alternativamente, uma lista de agentes de reparações autorizados pela Stanley e detalhes completos dos nossos serviços pós-venda e contactos estão disponíveis na Internet em: [www.2helpU.com](http://www.2helpU.com)

## Dois ano de garantia total

Se o seu produto STANLEY ficar defeituoso devido a materiais ou mão-de-obra defeituosos em 24 meses a contra da data da compra, STANLEY Europe garante a substituição de todas as peças defeituosas sem custos – por nossa conta – substitui a unidade sem custos dado que:

- O produto não foi mal usado e foi usado de acordo com o manual de instruções.
- O produto foi sujeito a uso e desgaste justo;
- Não foram tentadas reparações feitas por pessoas não autorizadas;
- É fornecida um comprovativo de compra.
- O produto STANLEY é devolvido com todos os seus componentes originais.

Se quiser apresentar uma reclamação, contacte o seu vendedor ou verifique a localização do agente de reparações Stanley autorizado no catálogo ou contacte com o seu escritório local nos endereços indicados neste manual. Uma lista de agentes autorizados de reparação Stanley e detalhes completos dos nossos serviços pós-venda estão disponíveis na internet em: [www.stanleytools.com](http://www.stanleytools.com)



\* Картинке выше может слегка отличаться от реального оборудования.

## Использование по назначению

Ваш молот STANLEY был разработан для сверления в бетоне и кирпичной кладке, а также для легкого долбления.

## Правила техники безопасности

### Общие предупреждения по технике безопасности электроинструментов



**Внимание! Ознакомьтесь со всеми правилами безопасности и инструкциями.** Несоблюдение предупреждений и инструкций,

указанных ниже, может привести к поражению электрическим током, пожару и/или серьезной травме.

Сохраните все предупреждения и инструкции для будущего использования.

Термин "электроинструмент" во всех предупреждениях, указанных ниже, относится к вашему сетевому (с кабелем) электроинструменту или аккумуляторному электроинструменту (без кабеля питания).

#### 1. Безопасность рабочего места

- a. **Содержите рабочее место в чистоте и хорошо освещенным.** Беспорядок на рабочем месте или отсутствие освещения рабочего места может привести к аварии.
- b. **Не работайте с электроинструментом в месте хранения взрывоопасных материалов, например, в присутствии огнеопасных жидкостей, газов или пыли.** Электрические инструменты создают искры, которые могут воспламенить пыль или пары.
- c. **Дети и посторонние лица должны находиться как можно дальше во время работы с электроинструментом.** Вы можете отвлечься и потерять контроль.

#### 2. Электробезопасность

- a. **Вилка электроинструмента должна соответствовать розетке. Никогда не модифицируйте вилку каким-либо образом. Не используйте никакие вилки-переходники с заземленными (замкнутыми на землю) электроинструментами. Вилки и розетки, которые**

не подвергались никаким изменениям снижают риск поражения электрическим током.

- b. **Избегайте контакта тела с заземленными поверхностями, такими как трубы, радиаторы, плиты и холодильники.** Существует повышенный риск поражения электрическим током, если ваше тело заземлено.
- c. **Избегайте любого воздействия дождя или влаги на электроинструменты.** Вода, попавшая в электроинструмент, увеличивает риск поражения электрическим током.
- d. **Аккуратно обращайтесь со шнуром питания. Никогда не используйте шнур питания для переноски, перемещения или извлечения вилки из розетки. Держите шнур вдали от источников тепла, масла, острых краев или движущихся частей.** Поврежденные или запутанные шнуры увеличивают риск поражения электрическим током.
- e. **При работе с электроинструментом на улице, используйте удлинитель, подходящий для наружного использования.** Использование кабеля, пригодного для использования на открытом воздухе, снижает риск поражения электрическим током.
- f. **При необходимости работы с электроинструментом во влажной среде, используйте устройство защитного отключения (УЗО).** Использование УЗО снижает риск поражения электрическим током.

#### 3. Личная безопасность

- a. **Будьте внимательны, смотрите, что вы делаете, используйте здравый смысл при работе с электроинструментом. Не используйте электроинструмент, если вы устали или находитесь под влиянием наркотиков, алкоголя или лекарств.** Малейшая неосторожность при работе с электроинструментом может привести к серьезным травмам.
- b. **Используйте средства индивидуальной защиты. Всегда надевайте защитные очки. Другое защитное оборудование, включая респиратор, ботинки на нескользящей подошве, защитный шлем или средства защиты органов слуха, используемые в надлежащих условиях, уменьшают риск получения травм.**



- c. Для предотвращения случайного запуска, убедитесь, что переключатель находится в выключенном положении перед подключением к источнику питания и/или аккумуляторной батарее, поднятия или переноски инструмента. Не переносите электроинструмент с пальцем на выключателе и не включайте питание на инструмент с включенным выключателем, что может привести к несчастному случаю.
- d. Перед включением электроинструмента снимайте регулировочный или гаечный ключ. Гаечный или регулировочный ключ, оставленный на вращающейся части электроинструмента, может привести к травме.
- e. Не тянитесь. Сохраняйте правильную стойку и баланс все время. Это позволяет лучше контролировать инструмент в неожиданных ситуациях.
- f. Одевайтесь правильно. Не надевайте свободную одежду или украшения. Держите волосы, одежду и перчатки вдали от движущихся частей. Свободная одежда, украшения или длинные волосы могут попасть в движущиеся части.
- g. Если имеются устройства для подключения пылесборника или вытяжки, убедитесь в том, что они подсоединены и используются правильно. Использование пылесборника снижает вероятность возникновения рисков, связанных с пылью.
- #### 4. Использование и уход за электроинструментом
- a. Не перегружайте электроинструмент. Используйте подходящий электрический инструмент для соответствующего применения. Правильно подобранный электроинструмент позволит выполнить работу лучше и безопаснее при скорости, для которой он был разработан.
- b. Не используйте электроинструмент, если переключатель не может его включить и выключить. Любой электроинструмент, который нельзя контролировать с помощью переключателя, опасен и должен быть отремонтирован.
- c. Отключите кабель питания от источника питания и/или аккумуляторный блок от электрического инструмента перед выполнением любых регулировок, замены принадлежностей или при хранении электроинструмента. Такие профилактические меры безопасности уменьшают риск непреднамеренного запуска электрического инструмента.
- d. Храните неиспользуемые электроинструменты в недоступном для детей месте и не позволяйте лицам, не знакомым с электроинструментом или данным инструкциями, работать с электроинструментом. Электроинструменты опасны в руках неопытных пользователей.
- e. Поддержание электроинструмента. Проверяйте разрегулированность или соединение подвижных частей, поломки частей и любые другие условия, которые могут повлиять на работу электроинструмента. При наличии повреждения, отремонтируйте электроинструмент перед использованием. Многие несчастные случаи являются следствием плохого ухода за электроинструментом.
- f. Держите режущий инструмент острым и чистым. Хорошо ухоженный режущий инструмент с острыми режущими кромками легче контролировать.
- g. Используйте электроинструмент, аксессуары и насадки в соответствии с данными инструкциями, принимая внимание условия работы и те работы, которые должны быть выполнены. Использование электроинструмента для операций, отличающихся от тех, для которых он предназначен, может привести к опасной ситуации.
- #### 5. Обслуживание
- a. Обеспечьте, чтобы обслуживание и ремонт вашего электроинструмента проводился в авторизованном сервисном центре по ремонту с использованием только оригинальных запасных частей. Это станет гарантией безопасности электроинструмента.

## Предупреждения по безопасности для молота

- Надевайте защитные наушники при сверлении. Воздействие шума может привести к потере слуха.
- Используйте дополнительные рукоятки, если они входят в комплект поставки инструмента. Потеря контроля может привести к травме.
- Держите инструмент за изолированные поверхности во время работы, при которой режущий инструмент может задеть скрытую проводку или собственный кабель. При контакте режущего аксессуара с «живым» проводом или открытыми металлическими частями электроинструмента оператора может ударить электрическим током.
- Никогда не используйте долото в ротационном режиме. Аксессуар войдет в материал приведет к вращению дрели.
- Используйте тиски или другое подходящее приспособление для обеспечения и поддержания обрабатываемого изделия на устойчивой платформе. Проведение работы по направлению руки или против вашего тела, лишает устойчивости и может привести к потере контроля.
- Перед сверлением стен, полов и потолков, проверьте местоположение электропроводки и труб.
- Не прикасайтесь к кончику сверла сразу после окончания сверления, так как оно может быть горячим.
- Назначение инструмента описывается в данном руководстве. Использование любых аксессуаров или приспособлений, выполнение любых операций с помощью этого инструмента, не рекомендованных в данном руководстве, может представлять опасность получения травм и/или повреждения имущества.

## Безопасность посторонних лиц

- Этот инструмент не предназначен для использования лицами (включая детей) с ограниченными физическими, чувствительными или умственными способностями или с недостатком

опыта или знаний, если они не были под контролем и руководством лица, контролирующего использование инструмента или ответственным за их безопасность.

- Дети должны быть под присмотром взрослых, чтобы не допустить никаких игр с инструментом.

## Остаточные риски

Дополнительные остаточные риски могут возникнуть при использовании инструмента, которые не включены в описанные здесь правила техники безопасности. Эти риски могут возникнуть при неправильном или продолжительном использовании изделия и т.п. Несмотря на соблюдение соответствующих правил техники безопасности и использование предохранительных устройств, некоторых остаточных рисков невозможно избежать. Они включают в себя:

- Травмы в результате касания вращающихся/движущихся частей.
- Риск получения травмы во время смены деталей инструмента, ножей или насадок
- Травмы, вызванные продолжительным использованием инструмента. При использовании инструмента в течение продолжительного периода времени делайте регулярные перерывы в работе.
- Плохой слух.
- Ущерб здоровью в результате вдыхания пыли при использовании инструмента (пример: работа с деревом, в особенности, древесиной дуба, бука и древесноволокнистой плитой средней плотности).

## Этикетки на инструменте

Этикетка на вашем инструменте может включать следующие символы:

	Читайте инструкции по эксплуатации	Гц ..... Герц		..... Конструкция класса II
	Используйте средства защиты глаз	Вт ..... Ватт		..... Терминал заземления
	Используйте средства защиты органов слуха	мин..... минуты		..... Символ предупреждения об опасности
			..... Переменный ток	..... обороты или возвратно-поступательное движение в минуту
			..... Постоянный ток	
V .....	Вольт	$n_0$ .....	Скорость без нагрузки	
A .....	Ампер			

**Положение даты штрих-кода**

Дата кода, который также включает год изготовления, печатается на корпусе.

Пример:

2014 XX JN  
Год изготовления

**Электрическая безопасность**

Ваше зарядное устройство защищено двойной изоляцией, поэтому заземляющий провод не требуется. Всегда проверяйте, чтобы напряжение сети соответствовало напряжению, указанному на заводской табличке. Никогда не пытайтесь заменить зарядный блок стандартным сетевым штепселем.

- Если шнур питания поврежден, он должен быть заменен производителем или уполномоченным сервисным центром STANLEY для того, чтобы избежать опасности.

**Наименование частей**

Инструмент включает в себя некоторые или все из следующих частей:

1. Переключатель
2. Впускной колпак для впрыска масла
3. Селектор режимов
4. Инструментальный патрон (держатель инструмента)
5. Рукав
6. Боковая рукоятка
7. Ограничитель глубины
8. Нижняя крышка

**Сборка**

**Предостережение!** Перед сборкой, пожалуйста, убедитесь, что электроинструмент выключен и вилка шнура питания инструмента отключена от источника питания.

**Установите боковую рукоятку**

**Предостережение!** Когда сверлят отверстия в бетоне,

кирпиче и других поверхностях, пожалуйста, прикрепите боковую рукоятку для обеспечения безопасной работы.

- Боковая рукоятка (6) может быть повернута в любую сторону, которая может облегчить использование электроинструмента в любом положении.
- Поверните боковую рукоятку (6) против часовой стрелки, чтобы разблокировать и отпустите электроинструмент, поверните его в нужное положение.
- Поверните боковую рукоятку по часовой стрелке, чтобы затянуть его надлежащим образом.

**Установка аксессуара (рис. А)**

- Пожалуйста, очистите хвостовик сверла и смажьте сверло перед его установкой.
- Потяните и удерживайте слайд-втулку (5), а затем вставьте сверло в патрон, нажмите, пока не почувствуете, что оно закреплено, сверло может быть автоматически заблокировано на месте. Чтобы вынуть сверло наружу, проверьте, было ли оно надлежащим образом заблокировано в правильном положении или нет.
- Потяните и удерживайте зажим рукава дрели (5), теперь вы можете удалить сверло.

**Использование**

**Предостережение!** Пожалуйста, используйте электроинструмент под нормальной нагрузкой; перегрузки не допускаются.

**Предостережение!** Перед сверлением отверстий в стене, полу или потолке, пожалуйста, проверьте положение проводов и стальных труб.

**Скальвание/долбление (рис. В)**

- Когда осуществляются операции резки/зачистки/удаления, пожалуйста, поставьте селектор режимов (3) в нужное положение **T**, сверло, слесарное зубило, буровое долото и т.д., должны быть надлежащим образом использованы.

**Предостережение!** Не поворачивайте ручку, когда электроинструмент вращается под нагрузкой, иначе он будет поврежден.

## Сверление с ударом (рис. В)

- При использовании отбойного молотка для сверления отверстия в кирпичной кладке и бетонных поверхностях, селектор режима управления (3) должен быть установлен в нужное положение **Т1**.
- Сверло должно быть установлено в положение сверления, а затем нажмите кнопку переключателя для достижения наилучшего эффекта. Держите электроинструмент правильно, чтобы предотвратить его от отклонения от отверстия.
- Если отламываются фрагменты при сверлении отверстия, пожалуйста, не применяйте дальнейшее надавливание и запустите инструмент вращаться в режиме холостого хода, а затем постепенно выньте сверло из отверстия. Повторите указанные действия несколько раз, пока отверстие не будет очищено, а затем возобновите обычное сверление.

**Предостережение!** Когда сверло начинает разрушать железобетон или попало в стальное перекрытие внутри бетона, электроинструмент может иметь опасную силовую реакцию. Пожалуйста, всегда сохраняйте равновесие, стабильное положение и плотно держите инструмент, чтобы предотвратить появление опасной силовой реакции. Когда отверстие в бетоне высверлено, расстояние между двумя точками одного долбления не должно быть больше 8 см, определите расстояние посредством нахождения значения устойчивости бетона к крекингу.

## Муфта

Если сверло зажимается или искривляется, движущая сила, передаваемая на бурильный вал будет отключена. Создается огромная сила, таким образом две руки должны плотно держать электроинструмент, когда он находится в работе, и убедитесь, что оператор находится в стабильном и неподвижном положении.

## Выбор глубины отверстий, подлежащих бурению (см. С)

Глубиномер является простой в использовании линейкой для того, чтобы убедиться, что глубина бурения является достаточной. Откройте боковую рукоятку, отрегулируйте ограничитель глубины в зависимости от требуемой глубины, а затем затяните боковую рукоятку.

- Отсоедините боковую рукоятку (6), поворачивая ее против часовой стрелки.
- Установите ограничитель глубины сверления (7) в нужное положение. Максимальная глубина просверленного отверстия должна равняться расстоянию между кончиком бурового долота и передней части ограничителя глубины.
- Затянуть боковую рукоятку, повернув рукоятку по часовой стрелке.

## Включение и выключение

**Предостережение!** Прежде чем вставлять вилку, пожалуйста, убедитесь, свободно перемещается переключатель или нет, и является ли это исходным положением после отпускания.

- Нажмите кнопку переключателя (1), электроинструмент может быть включен немедленно.
- Отпустите кнопку (1), инструмент перестает вращаться.

## Аксессуары

Производительность вашего электроинструмента зависит от используемых аксессуаров. Аксессуары STANLEY разработаны согласно высоким стандартам качества, и они способны увеличить производительность вашего электроинструмента. Используя эти принадлежности, вы сможете наиболее эффективно использовать ваш инструмент.

## Обслуживание

Проводные/беспроводные инструменты/техника имеют изысканный дизайн, могут быть использованы в течение длительного времени и требуют минимального технического обслуживания. Чтобы добиться длительного удовлетворительного использования, необходимо надлежащее техническое обслуживание и регулярная чистка инструмента.

**Предостережение!** Перед выполнением любых работ по техобслуживанию проводных/беспроводных электрических инструментов, необходимо осуществить следующее:

- Выключите питание оборудования/инструментов и вытащите вилку;
- Если оборудование/инструмент имеет независимую аккумуляторную батарею, пожалуйста, выключите питание и извлеките аккумулятор из оборудования/инструмента.
- Если оборудование/инструменты оснащены встроенным аккумулятором, пожалуйста, отключите батарею, перед выключением питания.
- Перед чисткой отключите вилку зарядного устройства от источника питания. Кроме того, за исключением регулярной чистки вашего зарядного устройства, другое обслуживание не требуется.
- Регулярно используйте мягкую щетку или сухую тряпку для очистки вентиляционных отверстий оборудования/инструментов/зарядного устройства.
- Регулярно используйте влажную ткань для очистки корпуса двигателя. Пожалуйста, не используйте абразивные чистящие средства или чистящие средства на основе растворителей.
- Регулярно открывайте патрон и осторожно поверните его, чтобы удалить внутреннюю пыль (после установки).

## Замена угольных щеток (рис. Е)



### Смазка

- Регулярно заменяйте и проверяйте угольные щетки. Заменяйте их своевременно, когда они изнашиваются до границы абразива. Содержите угольные щетки в чистоте и убедитесь, чтобы они свободно скользили в процессе чистки. Обе щетки должны быть заменены одновременно.
- Используйте крест отвертки, чтобы открутить винты против часовой стрелки, откройте нижнюю крышку (8) при помощи плоской отвертки против часовой стрелки откройте щеточную крышку (9), вы можете удалить щетку (10), как показано на рисунке Е, и поставить новую щетку, а затем по часовой стрелке закрепить крышку (9), и в конце концов закрыть нижнюю крышку (8), а затем использовать крест отвертки, чтобы затянуть винты.
- Откройте крышку входа впрыска смазочного масла

(2), проверьте смазочное масло в коробке передач, если смазочное масло загрязнено или его количество недостаточно, замените или добавьте достаточное количество смазочного масла, предоставляемого компанией.



### Чистка

**Предостережение!** После того, как начинает появляться пыль на и/или вокруг вентиляционных портов, немедленно удалите пыль с корпуса при помощи чистого сухого воздуха. Для выполнения этой процедуры, пользуйтесь соответствующими средствами обеспечения безопасности и респиратором.

**Предостережение!** Строго запрещено для очистки неметаллических деталей инструмента использовать растворители или другие раздражающие химические вещества. Эти химикаты могут ухудшить состояние материалов, из которых состоят компоненты прибора. Для очистки используйте ткань, смоченную в слабом мыльном растворе. Не допускайте попадания каких-либо веществ внутрь инструмента и не опускайте какую-либо часть инструмента в жидкость.

## Технические данные

Молот	STHR272	
Входная мощность	W	850
Скорость без нагрузки	/мин	700
Частота ударов	увм	3400
Энергия удара (EPTA)	J	4.1
Режимы	2	
Максимальная емкость		
Бетон	мм	26
Сталь	мм	-
Дерево	мм	-
Вес	кг	5.1

## Защита окружающей среды



Раздельный сбор и утилизация. Этот продукт не следует утилизировать вместе с бытовым мусором.

Если вы поймете, что ваш продукт Stanley нуждается в замене, или если он не имеет никакого дальнейшего применения для вас, не выбрасывайте его вместе с бытовыми отходами. Предоставьте этот продукт для раздельного сбора/утилизации.



Раздельный сбор продуктов и упаковок позволяет осуществить их переработку и использовать их повторно. Повторное использование переработанных материалов помогает защищать окружающую среду от загрязнения и снижает расход сырьевых материалов.

Местное законодательство может обеспечить сбор старых электроинструментов отдельно от бытового мусора на муниципальных свалках отходов или в торговом предприятии при покупке нового изделия. Stanley обеспечивает возможность для сбора и утилизации продуктов Stanley, как только они достигли конца своего срока службы. Для того чтобы воспользоваться этой услугой, вы можете сдать ваше изделие в любой авторизованный сервисный центр, который собирает их по нашему поручению.

Вы можете узнать место нахождения вашего ближайшего авторизованного сервисного центра, обратившись в местное отделение Stanley по адресу, указанному в данном руководстве. Кроме того, список авторизованных ремонтных агентов Stanley и полную информацию о нашем послепродажном обслуживании и контактах вы можете найти в Интернете: [www.2helpU.com10](http://www.2helpU.com10)

## Полная гарантия сроком на два года

Если ваш продукт STANLEY выходит из строя из-за дефектных материалов или изготовления в течение 24 месяцев с даты покупки, STANLEY Europe гарантирует замену всех неисправных деталей бесплатно или - по своему усмотрению - замену продукта бесплатно при условии, что:

- Продукт использовался правильно, его эксплуатация проводилась строго в соответствии с инструкцией по эксплуатации.
- Продукт подвергался естественному износу;
- Ремонт не проводился посторонними лицами;
- Представлены документы, подтверждающие покупку.
- Продукт STANLEY возвращается в полном комплекте со всеми оригинальными компонентами

Если вы хотите сделать заявку, свяжитесь с продавцом или узнайте место нахождения вашего ближайшего авторизованного сервисного агента Stanley в каталоге Stanley или обратитесь в местное представительство Stanley по адресу, указанному в данном руководстве. Список авторизованных сервисных агентов Stanley и полную информацию о нашем послепродажном обслуживании можно найти в Интернете по адресу: [www.stanleytools.com](http://www.stanleytools.com)

# STANLEY

## Гарантийные условия

### Уважаемый покупатель!

1. Поздравляем Вас с покупкой высококачественного изделия STANLEY и выражаем признательность за Ваш выбор.

2. При покупке изделия требуйте проверки его комплектности и исправности в Вашем присутствии, инструкцию по эксплуатации и заполненный гарантийный талон на русском языке.

В гарантийном талоне должны быть внесены: модель, дата продажи, серийный номер, дата производства инструмента; название, печать и подпись торговой организации. При отсутствии у Вас правильно заполненного гарантийного талона, а также несоответствия указанных в нем данных мы будем вынуждены отклонить Ваши претензии по качеству данного изделия.

3. Во избежание недоразумений убедительно просим Вас перед началом работы с изделием внимательно ознакомиться с инструкцией по его эксплуатации. Правовой основой настоящих гарантийных условий является действующее Законодательство. Гарантийный срок на данное изделие составляет 24 месяца и исчисляется со дня продажи. В случае устранения недостатков изделия, гарантийный срок продлевается на период его нахождения в ремонте. Срок службы изделия составляет 5 лет со дня продажи.

4. В случае возникновения каких-либо проблем в процессе эксплуатации изделия рекомендуем Вам обращаться только в уполномоченные сервисные центры STANLEY, адреса и телефоны которых Вы сможете найти в гарантийном талоне, на сайте [www.2helpU.com](http://www.2helpU.com) или узнать в магазине. Наши сервисные станции - это не только квалифицированный ремонт, но и широкий ассортимент запчастей и принадлежностей.

5. Производитель рекомендует проводить периодическую проверку и техническое обслуживание изделия в уполномоченных сервисных центрах.



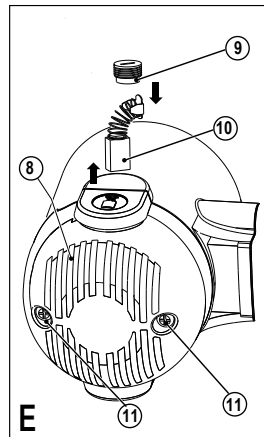
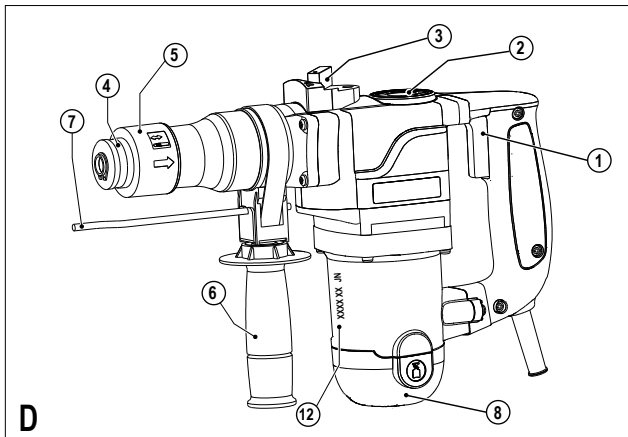
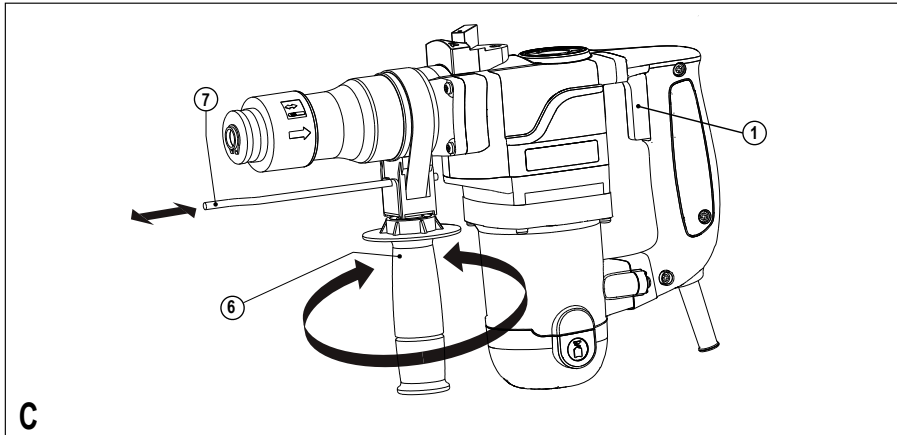
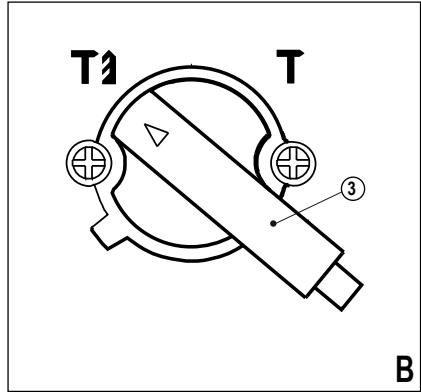
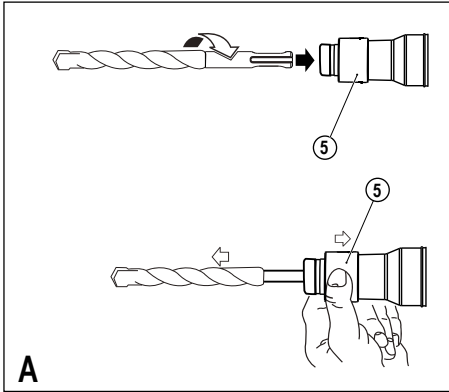
Изготовитель

Блэк энд Декер Холдингс ГмбХ

Германия, 65510, Идштайн,

ул. Блэк энд Деккер, 40

6. Наши гарантийные обязательства распространяются только на неисправности, выявленные в течение гарантийного срока и вызванные дефектами производства и/или материалов.
7. **Гарантийные условия не распространяются на неисправности изделия, возникшие в результате:**
  - 7.1. Несоблюдения пользователем предписаний инструкции по эксплуатации изделия, применения изделия не по назначению, неправильному хранении, использования принадлежностей, расходных материалов и запчастей, не предусмотренных производителем.
  - 7.2. Механического повреждения (сколы, трещины и разрушения) внутренних и внешних деталей изделия, основных и вспомогательных рукояток, сетевого электрического кабеля, вызванного внешним ударным или любым иным воздействием
  - 7.3. Попадания в вентиляционные отверстия и проникновение внутрь изделия посторонних предметов, материалов или веществ, не являющихся отходами, сопровождающими применение изделия по назначению, такими как: стружка, опилки, песок, и пр.
  - 7.4. Воздействия на изделие неблагоприятных атмосферных и иных внешних факторов, таких как дождь, снег, повышенная влажность, нагрев, агрессивные среды, несоответствие параметров питающей электросети, указанных на инструменте.
  - 7.5. Стихийного бедствия. Повреждение или утрата изделия, связанное с непредвиденными бедствиями, стихийными явлениями, в том числе вследствие действия непреодолимой силы (пожар, молния, потоп и другие природные явления), а так же вследствие перепадов напряжения в электросети и другими причинами, которые находятся вне контроля производителя.
8. **Гарантийные условия не распространяются:**
  - 8.1. На инструменты, подвергавшиеся вскрытию, ремонту или модификации вне уполномоченного сервисного центра.
  - 8.2. На детали и узлы, имеющие следы естественного износа, такие как: приводные ремни и колеса, угольные щетки, смазка, подшипники, зубчатое зацепление редукторов, резиновые уплотнения, сальники, направляющие ролики, муфты, выключатели, бойки, толкатели, стволы, и т.п.
  - 8.3. На сменные части: патроны, цанги, зажимные гайки и фланцы, фильтры, аккумуляторные батареи, ножи, шлифовальные подошвы, цепи, звездочки, пильные шины, защитные кожухи, пилки, абразивы, пильные и абразивные диски, фрезы, сверла, буры и т.п.
  - 8.4. На неисправности, возникшие в результате перегрузки инструмента (как механической, так и электрической), повлекшей выход из строя одновременно двух и более деталей и узлов, таких как: ротора и статора, обеих обмоток статора, ведомой и ведущей шестерни редуктора или других узлов и деталей. К безусловным признакам перегрузки изделия относятся, помимо прочего: появление цветов побежалости, деформация или оплавление деталей и узлов изделия, потемнение или обугливание изоляции проводов электродвигателя под воздействием высокой температуры.



\* Картинці вище може злегка відрізнятися від реального обладнання.



## Використання за призначенням

Ваш молот STANLEY був розроблений для свердління в бетоні і цегляній кладці, а також для легкого довбання.

## Правила техніки безпеки

### Загальні попередження з техніки безпеки електроінструментів



**Увага! Ознайомтеся з усіма правилами безпеки та інструкціями.** Недотримання попереджень та інструкцій, зазначених нижче, може призвести до ураження електричним струмом, пожежі та/або серйозної травми.

### Збережіть всі попередження та інструкції для майбутнього використання.

Термін "електроінструмент" у всіх попередженнях, зазначених нижче, відноситься до мережевого (з кабелем) електроінструменту або акумуляторної батареї (без кабелю живлення).

#### 1. Безпека робочого місця

- Утримує робоче місце в чистоті і добре освітленим.** Безлад на робочому місці або відсутність освітлення робочого місця може призвести до аварії.
- Не працюйте з електроінструментом в місці зберігання вибухонебезпечних матеріалів, наприклад, у присутності легкозаймистих рідин, газів або пилу.** Електричні інструменти створюють іскри, що можуть запалити пил або пари.
- Діти і сторонні особи повинні знаходитися якнайдалі під час роботи з електроприладами.** Ви можете відволіктися і втратити контроль.

#### 2. Електробезпека

- Вилка електроінструмента повинна відповідати розетці. Ніколи не змінюйте вилку будь-яким чином. Не використовуйте ніякі вилки-перехідники з заземленими (замкнутими на землю) електроінструментами.** Вилки і розетки, які не піддавалися ніяким змінам знижують ризик ураження електричним струмом.
  - Уникайте контакту тіла з заземленими поверхнями, такими як труби, радіатори, плити та холодильники.** Існує підвищений ризик ураження електричним струмом, якщо ваше тіло заземлене.
  - Уникайте будь-якого впливу дощу або вологи на електроінструменти.** Вода, що потрапила в електроінструмент, збільшує ризик ураження електричним струмом.
  - Обережно поводьтеся зі шнуром живлення. Ніколи не використовуйте шнур живлення для** перенесення, переміщення або вилучення вилки з розетки. **Тримайте шнур подалі від джерел тепла, масла, гострих країв або рухомих частин.** Пошкоджені або заплутані шнури збільшують ризик ураження електричним струмом.
- При роботі з електроінструментом на вулиці, використовуйте подовжувач, відповідний для зовнішнього використання.** Використання кабелю, придатного для використання на відкритому повітрі, знижує ризик ураження електричним струмом.
  - При необхідності роботи з електроінструментом у вологому середовищі, використовуйте пристрій захисного відключення (ПЗВ).** Використання ПЗВ знижує ризик ураження електричним струмом.
- ### 3. Особиста безпека
- Будьте уважні, дивіться, що ви робите, використовуйте здоровий глузд при роботі з електроприладами. Не використовуйте електроінструмент, якщо ви втомилися або перебуваєте під впливом наркотиків, алкоголю або ліків.** Найменша необережність при роботі з електроінструментом може призвести до серйозних травм.
  - Використовуйте засоби індивідуального захисту. Завжди надягайте захисні окуляри.** Інше захисне обладнання, включаючи респіратор, черевки на нековзній підшві, захисний шолом або засоби захисту органів слуху, використовувані в належних умовах, зменшать ризик отримання травми.
  - Для запобігання випадкового запуску, переконайтеся, що перемикач знаходиться у вимкненому положенні перед підключенням до джерела живлення та/або акумуляторної батареї, підняття або перенесення інструменту.** Не переносьте електроінструмент з пальцем на вимикачі і не включаєте електроживлення на інструмент з увімкненим вимикачем, що може призвести до нещасного випадку.
  - Перед включенням електроінструменту знімайте регульовальний або гайковий ключ.** Гайковий або регульовальний ключ, залишений на обертовій частині електроінструменту, може призвести до травм.
  - Не тягніться. Зберігайте правильну стійку і баланс весь час.** Це дозволяє краще контролювати інструмент в несподіваних ситуаціях.
  - Одягайтеся правильно. Не надягайте вільний одяг або прикраси. Тримайте волосся, одяг і рукавички далеко від рухомих частин.** Вільний одяг, прикраси або довге волосся можуть потрапити в рухому частину.

- g. Якщо є пристрої для підключення пилосбірника або витяжки, переконайтеся в тому, що вони під'єднані і використовуються правильно. Використання пилосбірника знижує ймовірність виникнення ризиків, пов'язаних з пилом.
4. Використання та догляд за електроінструментом
- a. **Не перевантажуйте електроінструмент. Використовуйте відповідний електричний інструмент для відповідного застосування.** Правильно підібраний електроінструмент дозволить виконати роботу краще і безпечніше при швидкості, для якої він був розроблений.
- b. **Не використовуйте електроінструмент, якщо перемикач не може його включити і вимкнути.** Будь-який електроінструмент, який не можна контролювати за допомогою перемикача, є небезпечний і повинен бути відремontований.
- c. **Від'єднайте кабель живлення від джерела живлення та/або акумулятора від електричного інструменту перед виконанням будь-яких регулювань, заміни приладдя або при зберіганні електроінструменту.** Такі профілактичні заходи безпеки зменшують ризик ненавмисного запуску електричного інструменту.
- d. **Зберігайте електроприлади в недоступному для дітей місці і не дозволяйте особам, які не знайомі з електричним інструментом або даними інструкціями, працювати з електроприладами.** Електроінструменти небезпечні в руках недосвідчених користувачів.
- e. **Підтримання електроінструменту. Перевіряйте розрегульованість або з'єднання рухомих частин, поломки частин і будь-які інші умови, які можуть вплинути на роботу електроінструменту. При наявності пошкодження, відремontуйте електроінструмент перед використанням.** Багато нещасних випадків є наслідком поганого догляду за електроінструментом.
- f. **Тримайте ріжучий інструмент гострим і чистим.** Добре доглянутий ріжучий інструмент з гострими ріжучими краями легше контролювати.
- g. **Використовуйте електроінструмент, аксесуари та насадки відповідно до цих вказівок, приймаючи до уваги умови роботи і ті роботи, які повинні бути виконані.** Використання електроінструменту для операцій, які відрізняються від тих, для яких він призначений, може призвести до небезпечної ситуації.
5. Обслуговування
- a. **Забезпечте, щоб обслуговування і ремонт**

вашого електроінструменту проводився в авторизованому сервісному центрі по ремонту з використанням тільки оригінальних запасних частин. Це стане гарантією безпеки електроінструменту.

## Попередження з безпеки для молота

- Одягайте захисні навушники при свердлінні. Вплив шуму може призвести до втрати слуху.
  - Використовуйте додаткові рукоятки, якщо вони входять в комплект поставки інструменту. Втрата контролю може призвести до травми.
  - Тримайте інструмент за ізольовані поверхні під час роботи, при якій ріжучий інструмент може зачепити приховану проводку або власний кабель. При контакті ріжучого аксесуара з «живим» проводом або відкритими металевими частинами електроінструменту оператора може вдарити електричним струмом.
  - Ніколи не використовуйте долото в ротаційному режимі. Аксесуар увійде в матеріал призведе до обертання дрילה.
  - Використовуйте лещата або інше відповідне пристосування для забезпечення і підтримки оброблюваного виробу на стійкій платформі. Проведення роботи по напрямку руки або проти вашого тіла, позбавляє стійкості і може призвести до втрати контролю.
  - Перед свердлінням стін, підлог і стель, перевірте розташування електропроводки і труб.
  - Не торкайтеся до кінчика свердла відразу після закінчення свердління, так як воно може бути гарячим.
  - Призначення інструменту описується в цьому посібнику. Використання будь-яких аксесуарів або пристосувань, виконання будь-яких операцій за допомогою цього інструменту, не рекомендованих у цьому посібнику, може становити небезпеку отримання травми та/або пошкодження майна.
- ## Безпека сторонніх осіб
- Цей інструмент не призначений для використання особами (включаючи дітей) з обмеженими фізичними, чутливими або розумовими здібностями або з браком досвіду чи знань, якщо вони не були під контролем і керівництвом особи, яка контролює використання приладу або відповідальна за їх безпеку.
  - Діти повинні бути під наглядом дорослих, щоб не допустити ніяких ігор з приладом.




## Залишкові ризики

Додаткові залишкові ризики можуть виникнути при використанні інструменту, які не можуть бути включені в описані тут правила техніки безпеки. Ці ризики можуть виникнути при неправильному або тривалому використанні виробу і т.п. Незважаючи на дотримання відповідних правил техніки безпеки та використання запобіжних пристроїв, деяких залишкових ризиків неможливо уникнути. Вони включають в себе:

- Травми в результаті торкання до обертових/рухомих частин.
- Ризик отримання травми під час зміни деталей інструменту, ножів або насадок.
- Травми, викликані тривалим використанням інструменту. При використанні інструменту протягом тривалого періоду часу, робіть регулярні перерви в роботі.
- Поганий слух
- Збиток здоров'ю внаслідок вдихання пилу при використанні інструменту (приклад: роботи з деревом, особливо, деревиною дуба, бука і деревоволокнистими плитами середньої щільності)

## Етикетки на інструменті

Етикетки на вашому інструменті можуть включати такі символи:

	Читайте інструкції з експлуатації	Гц ..... Герц		Конструкція класу II
	Використовуйте засоби захисту очей	Вт ..... Ватт		Термінал заземлення
	Використовуйте засоби захисту органів слуху	мин ..... хвилини		Символ попередження про небезпеку
V ..... Вольт		~ ..... Змінний струм		обороту або зворотного поступального руху в хвилину
A ..... Ампер		— ..... Постійний струм	хв..	
		п <sub>0</sub> ..... Швидкість без навантаження		


## Положення дати штрих-коду

Дата коду, який також включає рік виготовлення, друкється на корпусі.

Приклад:

2014 XX JN  
Рік виготовлення

## Електрична безпека

 Ваш зарядний пристрій захищено подвійною ізоляцією, тому заземлюючий провід не потрібен. Завжди перевіряйте, щоб напруга мережі відповідала напрузі, вказаній на табличці. Ніколи не намагайтеся замінити зарядний блок стандартним мережевим штепселем.

- Якщо шнур живлення пошкоджений, він повинен бути замінений виробником або уповноваженим сервісним центром STANLEY для того, щоб уникнути небезпеки.

## Найменування частин

Інструмент включає в себе деякі або всі з наступних частин:

1. Перемикач
2. Впускний ковпак для вприскування масла
3. Селектор режимів
4. Інструментальний патрон (утримувач інструменту)
5. Рукав
6. Бічна рукоятка
7. Обмежувач глибини
8. Нижня кришка

## Збірка

**Застереження!** Перед збіркою, будь ласка, переконайтеся, що електроінструмент вимкнений і вилка шнура живлення інструменту відключена від джерела живлення.

## Встановіть бічну рукоятку

**Застереження!** Коли свердлять отвори в бетоні, цеглі та інших поверхнях, будь ласка, прикріпіть бічну рукоятку для забезпечення безпечної роботи.

- Бічна рукоятка (6) може бути повернута в будь-яку сторону, яка може полегшити використання електроінструменту в будь-якому положенні.
- Поверніть бічну рукоятку (6) проти годинникової стрілки, щоб розблокувати і відпустити електроінструмент, поверніть його в потрібне положення.
- Поверніть бічну рукоятку за годинниковою стрілкою, щоб затягнути її належним чином.

## Установка аксесуара (рис. А)

- Будь ласка, очистіть хвостовик свердла і змастіть свердло перед його установкою.
- Потягніть і утримуйте слайд-втулку (5), а потім вставте свердло в патрон, натисніть, поки не відчуєте, що воно закріплено, свердло може бути автоматично заблоковано на місці. Щоб вийняти свердло назовні, перевірте, чи було воно належним чином заблоковано в правильному положенні чи ні.

- Потягніть і утримуйте зажим рукава дрилі (5), тепер ви можете видалити свердло.

## Використання

**Застереження!** Будь ласка, використовуйте електроінструмент під нормальним навантаженням; перевантаження не допускаються.

**Застереження!** Перед свердлінням отворів в стіні, підлозі або стелі, будь ласка, перевірте положення проводів і сталевих труб.

## Сколювання/довбання (мал. В)

- Коли здійснюються операції різання/зачистки/видалення, будь ласка, встановіть селектор режимів (3) в потрібне положення **T**, свердло, слюсарне зубило, бурове долото і т.д., повинні бути належним чином використані.

**Застереження!** Не повертайте ручку, коли електроінструмент обертається під навантаженням, інакше він буде пошкоджений.

## Свердління з ударом (мал. В)

- При використанні відбійного молотка для свердління отвору в цегляній кладці і бетонних поверхнях, селектор режиму керування (3) повинен бути встановлений в потрібне положення **T1**.
- Свердло повинно бути встановлено в положення свердління, а потім натисніть кнопку перемикача для досягнення найкращого ефекту. Тримайте електроінструмент правильно, щоб запобігти його відхилення від отвори.
- Якщо відламуються фрагменти при свердлінні отвору, будь ласка, не застосовуйте подальше натискання і запустіть інструмент обертатися в режимі холостого ходу, а потім поступово вийміть свердло з отвору. Повторіть зазначені дії кілька разів, поки отвір не буде очищено, а потім відновить звичайне свердління.

**Застереження!** Коли свердло починає руйнувати залізобетон або потрапило в сталеве покриття всередині бетону, електроінструмент може мати небезпечну силову реакцію. Будь ласка, завжди зберігайте рівновагу, стабільне положення і щільно тримайте інструмент, щоб запобігти появі небезпечної силової реакції. Коли отвір в бетоні висвердлено, відстань між двома точками одного довбання не повинна бути більше 8 см, визначте відстань за допомогою знаходження значення стійкості бетону до крекінгу.

## Муфта

Якщо свердло затискається або викривляється, рушійна

сила, передана на бурильний вал, буде відключена. Створюється величезна сила, таким чином дві руки повинні щільно тримати електроінструмент, коли він знаходиться в роботі, і переконайтеся, що оператор знаходиться в стабільному і нерухомому положенні.

## Вибір глибини отворів, що підлягають бурінню (мал. С)

- Глибиномір є простою у використанні лінійкою для того, щоб переконатися, що глибина буріння є достатньою. Відкрите бічну рукоятку, відрегулюйте обмежувач глибини в залежності від необхідної глибини, а потім затягніть бокову рукоятку.
- Відключіть бічну рукоятку (6), повертаючи її проти годинникової стрілки.
- Встановіть обмежувач глибини свердління (7) у потрібне положення. Максимальна глибина просвердленого отвору повинна дорівнювати відстані між кінчиком бурового долота і передньої частини обмежувача глибини.
- Затягнути бічну рукоятку, повернувши рукоятку за годинниковою стрілкою.

## Вмикання і вимикання

**Застереження!** Перш ніж вставляти вилку, будь ласка, переконайтеся, чи вільно переміщається перемикач чи ні, і чи є це вихідним положенням після відпускання.

- Натисніть кнопку перемикача (1), електроінструмент може бути включений негайно.
- Відпустіть кнопку (1), інструмент перестане обертатися.

## Аксесуари

Продуктивність вашого електроінструменту залежить від використовуваних аксесуарів. Аксесуари STANLEY розроблено відповідно високим стандартам якості, і вони здатні збільшити продуктивність вашого електроінструменту. Використовуючи ці принадлежности, ви зможете найбільш ефективно використовувати ваш інструмент.

## Обслуговування

Дротові/бездротові інструменти/техніка мають вишуканий дизайн, можуть бути використані протягом тривалого часу і вимагають мінімального технічного обслуговування. Щоб домогтися тривалого задовільного використання, необхідно належне технічне обслуговування та регулярне чищення інструменту.

**Застереження!** Перед виконанням будь-яких робіт з техобслуговування дротових/бездротових електричних інструментів, необхідно здійснити наступне:

- Вимкніть живлення обладнання /інструментів і витягніть вилку;
- Якщо обладнання/інструмент має незалежну акумуляторну батарею, будь ласка, вимкніть живлення та вийміть акумулятор з обладнання/інструменту.
- Якщо обладнання/інструменти оснащені вбудованим акумулятором, будь ласка, вимкніть батарею, перед вимиканням харчування.
- Перед чищенням відключіть вилку зарядного пристрою від джерела живлення. Крім того, за винятком регулярного чищення вашого зарядного пристрою, інше обслуговування не потрібно.
- Регулярно використовуйте м'яку щітку або суху ганчірку для очищення вентиляційних отворів обладнання/інструментів/зарядного пристрою.
- Регулярно використовуйте вологу тканину для очищення корпусу двигуна. Будь ласка, не використовуйте абразивні чистячі засоби або чистячі засоби на основі розчинників.
- Регулярно відкривайте патрон і обережно поверніть його, щоб видалити внутрішній пил (після установки).

## Заміна вугільних щіток (мал. Е)



### Масило

- Використовуйте крос викрутки, щоб відкрутити гвинти проти годинникової стрілки, відкрийте нижню кришку (8), за допомогою плоскої викрутки проти годинникової стрілки відкрийте щеточную кришку (9), ви можете видалити щітку (10), як показано на малюнку Е, і поставити нову щітку, а потім за годинниковою стрілкою закріпити кришку (9), і врешті-решт закрити нижню кришку (8), а потім використовувати крос викрутки, щоб затягнути гвинти.
- Відкрийте кришку входу вприскування мастила (2), перевірте мастило в коробці передач, якщо мастило забруднено або його кількість є недостатньою, замініть або додайте достатню кількість мастила, що надається компанією.



### Чищення

**Застереження!** Після того, як починає з'являтися пил на і/або навколо вентиляційних портів, негайно змийте пил з корпусу за допомогою чистого сухого повітря. Для виконання цієї процедури, користуйтеся відповідними засобами забезпечення безпеки і респіратором.

**Застереження!** Строго заборонено для очищення неметалевих деталей інструменту використовувати розчинники або інші дратівливі хімічні речовини. Ці хімікати можуть погіршити стан матеріалів, з яких складаються компоненти приладу. Для очищення використовуйте тканину, змочену в слабкому мильному розчині. Не допускайте попадання яких-небудь речовин всередину інструменту і не опускайте будь-яку частину інструменту в рідину.

### Технічні дані

Молот		STHR272
Вхідна потужність	W	850
Швидкість без навантаження	/хвил.	700
Частота ударів	увм	3400
Енергія удару (ЕРТА)	J	4.1
Режими		2
Максимальна ємність		
Бетон	мм	26
Сталь	мм	-
Дерево	мм	-
Вага	кг	5.1

## Повна гарантія терміном на два роки



Роздільний збір і утилізація. Цей продукт не слід утилізувати разом з побутовим сміттям.

Якщо ви розумієте, що ваш продукт Stanley потребує заміни, або якщо він не має ніякого подальшого застосування для вас, не викидайте його разом з побутовими відходами. Надайте цей продукт для роздільного збору/утилізації.



Роздільний збір продуктів і упаковок дозволяє здійснити їх переробку і використати їх повторно. Повторне використання перероблених матеріалів допомагає захищати довкілля від забруднення і знижує витрату сировинних матеріалів.

Місьцеве законодавство може забезпечити збір старих електроінструментів окремо від побутового сміття на муніципальних звалищах відходів або в торговому підприємстві при купівлі нового виробу. Stanley забезпечує можливість для збору і утилізації продуктів Stanley, як тільки вони досягли кінця свого терміну служби. Для того, щоб скористатися цією послугою, ви можете здати ваш виріб у будь-який авторизований сервісний центр, який збирає їх за нашим дорученням.

Ви можете упізнати місце знаходження вашого найближчого авторизованого сервісного центру, звернувшись в місьцеве відділення Stanley за адресою, вказаною в цьому керівництві. Крім того, список авторизованих ремонтних агентів Stanley і повну інформацію про наше післяпродажне обслуговування і контакти ви можете знайти в Інтернеті: [www.2helpu.com10](http://www.2helpu.com10)

## Два рік повної гарантії

Якщо ваш продукт STANLEY виходить з ладу із-за дефектних матеріалів або виготовлення впродовж 24 місяців з дати купівлі, STANLEY Europe гарантує заміну усіх несправних деталей безкоштовно або - на власний розсуд - заміну продукту безкоштовно за умови, що:

- Продукт використовувався правильно, його експлуатація проводилася строго відповідно до інструкції з експлуатації.
- Продукт піддавався звичайному зносу;
- Ремонт не проводився сторонніми особами;
- Представлені документи, що підтверджують купівлю.
- Продукт STANLEY повертається в повному комплекті з усіма оригінальними компонентами

Якщо ви хочете зробити заявку, зв'яжіться з продавцем або з'ясуйте місце знаходження вашого найближчого авторизованого сервісного агента Stanley в каталозі Stanley або зверніться в місьцеве представництво Stanley за адресою, вказаною в цьому посібнику. Список авторизованих сервісних агентів Stanley і повну інформацію про наше післяпродажне обслуговування можна знайти в Інтернеті за адресою: [www.stanleytools.com](http://www.stanleytools.com)

# STANLEY

## Гарантійні умови

Шановний покупець!

1. Вітаємо Вас з покупкою високоякісного виробу STANLEY і висловлюємо вдячність за Ваш вибір.
2. При покупці виробу вимагайте перевірки його комплектності і справності у Вашій присутності, інструкцію з експлуатації та заповнений гарантійний талон українською мовою

В гарантійному талоні повинні бути внесені: модель, дата продажу, серійний номер, дата виробництва інструменту; назва, печатка і підпис торгової організації. За відсутності у Вас правильно заповненого гарантійного талону, а також при невідповідності зазначених у ньому даних ми будемо змушені відхилити Ваші претензії щодо якості даного виробу.

3. Щоб уникнути непорозумінь, переконливо просимо Вас перед початком роботи з виробом уважно ознайомитися з інструкцією з його експлуатації. Правовою основою справжніх гарантійних умов є чинне Законодавство. Гарантійний термін на даний виріб складає 24 місяці і обчислюється з дня продажу. У разі усунення недоліків виробу, гарантійний строк продовжується на період його перебування в ремонті. Термін служби виробу становить 5 років з дня продажу.
4. У разі виникнення будь-яких проблем у процесі експлуатації виробу рекомендуємо Вам звертатися тільки в уповноважені сервісні центри STANLEY, адреси та телефони яких Ви зможете знайти в гарантійному талоні, на сайті [www.2helpU.com](http://www.2helpU.com) або дізнатися в магазині. Наші сервісні станції - це не тільки кваліфікований ремонт, але і широкий асортимент запчастин і аксесуарів.
5. Виробник рекомендує проводити періодичну перевірку і технічне обслуговування виробу в уповноважених сервісних центрах.
6. Наші гарантійні зобов'язання поширюються тільки на несправності, виявлені протягом гарантійного терміну і викликані дефектами виробництва та \ або матеріалів.
7. Гарантійні умови не поширюються на несправності виробу, що виникли в результаті:
- 7.1 Недотримання користувачем приписів інструкції з експлуатації виробу, застосування виробу не за призначенням, неправильного зберігання, використання приладдя, витратних матеріалів і запчастин, що не передбачені виробником.
- 7.2 Механічного пошкодження (відколи, тріщини і руйнування) внутрішніх і зовнішніх деталей виробу, основних і допоміжних рукояток, мережевого кабелю, що викликані зовнішнім ударним або будь-яким іншим впливом

- 7.3 Потрапляння у вентиляційні отвори та проникнення всередину виробу сторонніх предметів, матеріалів або речовин, що не є відходами, які супроводжують застосування виробу за призначенням, такими як: стружка, тирса, пісок, та ін.
- 7.4 Впливу на виріб несприятливих атмосферних і інших зовнішніх факторів, таких як дощ, сніг, підвищена вологість, нагрівання, агресивні середовища, невідповідність параметрів електромережі, що зазначені на інструменті.
- 7.5 Стихійного лиха. Пошкодження або втрати виробу, що пов'язані з непередбаченими лихами, стихійними явищами, у тому числі внаслідок дії непереборної сили (пожежа, блискавка, потоп і інші природні явища), а також внаслідок перепадів напруги в електромережі та іншими причинами, які знаходяться поза контролем виробника.
8. Гарантійні умови не поширюються:
- 8.1. На інструменти, що піддавались розкриттю, ремонту або модифікації поза уповноваженим сервісним центром.
- 8.2. На деталі, вузли та матеріали, що мають сліди природного зносу, такі як: приводні ремені і колеса, вугільні щітки, мастило, підшипники, зубчасті зчеплення редукторів, гумові ущільнення, сальники, направляючі ролики, муфти, вимикачі, бойки, штовхачі, стволу тощо.
- 8.3. На змінні частини: патрони, цанги, затискні гайки і фланці, фільтри, акумуляторні батареї, ножі, шліфувальні підшви, ланцюги, зірочки, пильні шини, захисні кожухи, пилки, абразиви, пильні і абразивні диски, фрези, свердла, бури тощо
- 8.4. На несправності, що виникли в результаті переважання інструменту (як механічного, так і електричного), що спричинили вихід з ладу одночасно двох і більше деталей і вузлів, таких як: ротора і статора, обох обмоток статора, веденої і ведучої шестерень редуктора або інших вузлів і деталей. До безумовних ознак переважання виробу відносяться, крім інших: поява кольорів мінливості, деформація або оплавлення деталей і вузлів виробу, потемніння або обуглювання ізоляції проводів електродвигуна під впливом високої температури.



Виробник:  
"Stanley Black & Decker Deutschland GmbH" Black-&-Decker Str.40, D-65510 Idstein, Німеччина

## ضمان شامل لعام اثنتان

## حماية البيئة



فرز النفايات. يجب عدم وضع هذا المنتج مع النفايات المنزلية العادية.

إذا وجدت في يوم ما أنك بحاجة إلى استبدال منتج ستانلي، أو إذا لم تعد بحاجة إلى استخدامه، فلا تتخلص منه مع النفايات المنزلية، وقم بإتاحته للفرز.



يتيح فرز المنتجات المستخدمة وتغليفها بإعادة تدوير المواد واستخدامها مرة أخرى. حيث يساعد إعادة استخدام المواد المعاد تدويرها في منع التلوث البيئي ويقلل من الطلب على المواد الخام.

وقد تنص اللوائح المحلية على فرز المنتجات الكهربائية عن النفايات المنزلية في مواقع نفايات البلدية أو بواسطة بائع التجزئة عند شراء منتج جديد. وتوفر ستانلي مرافق جمع وإعادة تدوير منتجات ستانلي حينما تصل إلى نهاية عمرها الافتراضي للعمل. للاستفادة من هذه الخدمة، برجاء إعادة المنتج إلى أي وكيل إصلاح معتمد يقوم بجمعها نيابة عنا.

يمكنك التحقق من موقع أقرب وكيل إصلاح معتمد من خلال الاتصال بمكتب ستانلي المحلي على العنوان المشار إليه في الدليل. وبدلاً من ذلك، توجد قائمة بوكلاء الإصلاح المعتمدين من ستانلي وبياناتهم الكاملة لخدمات ما بعد البيع وبيانات اتصالاتهم على موقع الإنترنت: [www.helpU.com](http://www.helpU.com).

إذا وجد في منتج ستانلي عيوب تصنيع أو عيوب مواد في غضون ٢٤ شهراً من تاريخ الشراء، تضمن لك ستانلي بوروب استبدال كافة الأجزاء المعيبة دون مقابل أو - وفقاً لتقديرنا - استبدال الوحدة دون مقابل شريطة:

- عدم إساءة استخدام الجهاز وأن يكون الجهاز قد تم استخدامه وفقاً لدليل التعليمات;
  - تعرض الجهاز للبلل العادي بالاستعمال;
  - عدم القيام بأي إصلاحات بواسطة أشخاص غير معتمدين;
  - تقديم إثبات للشراء;
  - إعادة منتج ستانلي مكتملاً مع كافة مكوناته الأصلية
- إذا كنت ترغب في إقامة دعوى، اتصل بالبائع أو تحقق من موقع أقرب وكيل إصلاح معتمد من ستانلي في دليل ستانلي أو اتصل بمكتب ستانلي المحلي على العنوان المشار إليه في الدليل. توجد قائمة بوكلاء الإصلاح المعتمدين من ستانلي وبياناتهم الكاملة لخدمات ما بعد البيع على موقع الإنترنت: [www.stanleytools.com](http://www.stanleytools.com).



## البيانات الفنية

STHRvr	المثقاب الكهربائي الدقاق	
٨٥٠	واط	التيار الكهربائي الداخل
٧٠٠	لفة في الدقيقة	السرعة بدون حمل
٣٤٠٠	دقة في الدقيقة	معدل الدق
٤,١	جول	طاقة التأثير (EPTA)
٢		الأوضاع
الحُد الأقصى للقِدرَة		
٢٦	مليمتِر	الخرسانة
-	مليمتِر	المعادن
-	مليمتِر	الخشب
٥,١	كيلو جرام	الوزن

- قم بفصل الشاحن قبل تنظيفه. ولا يتطلب الشاحن الخاص بك أي صيانة بخلاف التنظيف المنتظم.
- قم بتنظيف فتحات التهوية في الجهاز/الأداة/الشاحن الخاص بك باستخدام فرشاة ناعمة أو قطعة قماش جافة بانتظام.
- قم بتنظيف غطاء المحرك باستخدام قطعة قماش رطبة. ولا تستخدم أي منظفات كاشطة أو مواد مذيبة.
- افتح الظرف بانتظام واضغط عليه برفق لإزالة أي غبار من الداخل (بعد تركيبه).

## استبدال فرشاة الكربون (الشكل هـ)

## التشحيم

- قم باستبدال فرش الكربون والتحقق منها بانتظام. كما يجب استبدالها عند تأكلها حتى تصل إلى حد التجليخ. ويجب الحفاظ على نظافة فرشاة الكربون وجعلها تنزلق بحرية في نطاق الفرشاة. كما يجب استبدال الفرشيتين في نفس الوقت.
- استخدم المفك الصليبي لفك المسامير عكس اتجاه عقارب الساعة وفتح الغطاء السفلي (٨) باستخدام مفك مسطح لفتح غطاء الفرشاة عكس اتجاه عقارب الساعة (٩). ويمكن إزالة الفرشاة (١٠) كما هو مبين في الشكل رقم ٥. ووضع الفرشاة الجديدة. ثم ربط غطاء الفرشاة (٩) في اتجاه عقارب الساعة (٢). وأخيراً، وضع الغطاء السفلي (٨). ثم استخدام المفك الصليبي لتثبيتته بشكل صحيح.
- افتح غطاء مدخل حقن زيت التشحيم (٢). وحقن من زيت التشحيم في علبة التروس. وإذا كان زيت التشحيم متسخاً أو غير كافٍ، فعليك تغيير زيت التشحيم أو إضافة كمية كافية من زيت التشحيم المقدم من الشركة.

## التنظيف

**تحذير!** قم بنفخ الأوساخ والغبار من على الغطاء الرئيسي باستخدام هواء جاف حال رؤية تجمع الأوساخ في فتحات التهوية وحولها. وقل ارتداء واقى العينين وقناع الوقاية من الغبار المعتمدين عند تنفيذ هذا الإجراء.

**تحذير!** يُحظر تماماً استخدام المذيبات أو المواد الكيميائية الأخرى لتنظيف الأجزاء غير المعدنية من الجهاز. فقد تؤدي هذه المواد الكيميائية إلى إضعاف مواد هذه الأجزاء. واستخدم فقط قطعة قماش مبللة بمياه الصابون في تنظيف الجهاز. ولا تسمح بدخول أي مادة إلى الأجزاء الداخلية للجهاز ولا تغمر أي جزء من أجزاء الجهاز في أي سائل.

**تحذير! عمق الحفر التي سيتم ثقبها (الشكل ج)**

يُعد مقياس العمق عبارة عن مسطرة سهلة الاستخدام يمكن من خلالها ضمان اتساق عمق الثقب. وعلبك فك المقبض الجانبي وضبط مقياس العمق بحسب العمق المطلوب. ثم إحكام ربط المقبض الجانبي مرة أخرى.

- قم بفك المقبض الجانبي (١) بلفه عكس اتجاه عقارب الساعة.
- قم بضبط مفتاح التوقف عند العمق المحدد (٧) عند الوضع المرغوب. وينبغي أن يكون الحد الأقصى لعمق الحفرة التي سيتم ثقبها مساوياً للمسافة بين حافة لقمة الثقب ومقدمة مفتاح التوقف عند العمق المحدد.
- قم بربط المقبض الجانبي بلفه في اتجاه عقارب الساعة.

**التشغيل وإيقاف التشغيل (الشكل ١)**

- تحذيراً قبل توصيل القبس، يرجى التأكد ما إذا كان يمكن تشغيل المفتاح بحرية أم لا. وما إذا كان يمكن أن يعود إلى وضعه الأصلي بعد خرابه.
- اضغط زر التشغيل (١). ويمكن بدء تشغيل الجهاز الكهربائي على الفور.
- اترك الزر (١). عندها يتوقف الجهاز عن الدوران.

**الملحقات**

يعتمد أداء أي جهاز كهربائي على الحلقات المرفقة به. وقد تم تصميم ملحقات ستانلي وتصنيعها وفقاً لمعايير عالية الجودة لتحسين أداء الجهاز الكهربائي. ويمكن لاستخدام هذه الملحقات أن يساعدك في تشغيل الجهاز بسهولة ويسر.

**الصيانة**

تم تصميم الجهاز السلكي/اللاسلكي من ستانلي بطريقة متقدمة للعمل لفترة طويلة بأقل صيانة ممكنة. ولضمان تشغيل الجهاز على نحو مرضٍ ومتسق، يجب صيانته وتنظيفه بانتظام.

**تحذيراً قبل إجراء أي صيانة للأجهزة الكهربائية السلكية/اللاسلكية، يجب تنفيذ الخطوات التالية:**

- قم بإيقاف التشغيل وفصل الجهاز عن التيار الكهربائي.
- قم بإيقاف التشغيل وإزالة بطارية الجهاز إذا كان للجهاز بطارية منفصلة.
- قم بتفريغ البطارية بالكامل إذا كانت مدمجة مع الجهاز، ثم إيقاف التشغيل.

**تحذيراً!** قبل الثقب في الجدران أو الأرضيات أو الأسقف. يرجى التحقق من موضع الأسلاك والمواسير.

**القطع / النحت (الشكل ب)**

- عند استخدام الجهاز في القطع / السحج / الإزالة، يرجى وضع مفتاح تحذير أوضاع التشغيل (٣) على T. وينبغي استخدام لقمة الثقب وإزميل القطع على البارد وإزميل القياس بشكل صحيح.

**تحذيراً!** لا تقم بتدوير المقبض عندما يكون هناك حمل على الجهاز الكهربائي وإلا سيؤدي ذلك إلى تضرر الجهاز.

**الثقب الدقاق (الشكل ب)**

- عند استخدام جهاز المثقاب الدقاق لثقب حفر في أسطح الطابوق والخرسانة، ينبغي وضع مفتاح تحذير أوضاع التشغيل (٣) على الوضع T1.
- ينبغي وضع لقمة الثقب على موضع الثقب، والضغط بعد ذلك على مفتاح التشغيل لتحقيق أفضل تأثير ممكن. كما ينبغي الحفاظ على الجهاز الكهربائي في الوضع الصحيح وتفادي انحراف الثقب.
- عندما يؤدي الفتات أو المسحوق الناتج إلى سد الحفرة، فيرجى عدم الضغط على الجهاز بصورة أكبر وترك الجهاز يدور ببطء. ثم قم بسحب لقمة الثقب تدريجياً من الحفرة. وقم بتكرار الخطوات المذكورة عدة مرات حتى تصبح الحفرة المسدودة نظيفة. ثم يمكنك استئناف الثقب بشكل طبيعي.

**تحذيراً!** عندما تبدأ لقمة الثقب في كسر الخرسانة المسلحة أو عند الاصطدام بقضيب من الحديد والصلب داخل الخرسانة، فقد يكون هناك رد فعل قوي من الجهاز الكهربائي. فيرجى دائماً الحفاظ على التوازن واتخاذ وضع ثابت وإحكام قبضتك على الجهاز لتفادي حدوث أي رد فعل خطير. وعند الثقب في الخرسانة، ينبغي ألا تكون المسافة بين نقطتي الثقب والحافة كبيرة للغاية، حيث يجب أن تكون حوالي ٨ سم أو نحو ذلك. ويمكن حديد المسافة من خلال معرفة مقدار مقاومة الخرسانة للكسر.

**جهاز التعشيق في حالة الحمل الزائد**

في حالة ما إذا علقت لقمة الثقب بشيء ما أو أعاقها شيء ما، فستتوقف قوة الدفع المنقولة إلى قضيب الثقب بصورة مفاجئة. وفي تلك الحالة تكون هناك قوة هائلة. لذلك يجب إحكام إمساك الجهاز الكهربائي بكلتا القبضتين عند تشغيله. مع الحرص على أن يكون المشغل واقفاً في وضع ثابت ومستقر.

## المخاطر الكامنة

- في حالة تلف كابل الطاقة، يجب استبداله بواسطة الشركة المصنعة أو مركز خدمة معتمد من ستانلي لتجنب الضرر أو الإصابة.

## أسماء الأجزاء

يحتوي الجهاز الكهربائي على بعض أو كل الأجزاء التالية:

١. مفتاح تشغيل / إيقاف تشغيل
٢. مدخل لحقن زيت التشحيم
٣. مفتاح لاختيار الأوضاع
٤. ظرف للقمم (حامل للقمم)
٥. جلبة
٦. مقبض جانبي
٧. مفتاح للتوقف عند العمق المحدد
٨. غطاء سفلي

## التجميع

تحذيراً قبل التجميع، يُرجى التأكد من إيقاف تشغيل الجهاز وفصله من مقبس التيار الكهربائي.

## تركيب المقبض الجانبي

عزل مزدوج من الفئة ٢

تحذيراً عند الثقب في الخرسانة والطابوق والأسطح الأخرى، يرجى إمساك المقبض الجانبي لضمان العمل بأمان.

- يمكن تدوير المقبض الجانبي (١) إلى أي جانب. ومن شأن هذا أن يسهل استخدام الجهاز الكهربائي في أي وضع.
- قم بتدوير المقبض الجانبي (١) عكس اتجاه عقارب الساعة لفكه وتخزين الجهاز الكهربائي. ثم قم بتدويره حتى يصل إلى الوضع المرغوب.
- قم بتدوير المقبض الجانبي في اتجاه عقارب الساعة لإحكامه على نحو مناسب.

## تركيب أحد الملحقات (الشكل أ)

يرجى تنظيف طرف المثقاب وتشحيم لقمة الثقب قبل تركيبها.

- قم بجذب الجلبة المنزلقة (٥) إلى الخلف والإمساك بها. ثم قم بلف لقمة الثقب حتى تدخل إلى الطرف واضغط عليها إلى الداخل حتى تستقر في مكانها تماماً. ويمكن تثبيت لقمة الثقب تلقائياً في مكانها. بعد ذلك قم بسحب لقمة الثقب إلى الخارج للتحقق مما إذا كانت قد استقرت في مكانها الصحيح أم لا.

قم بجذب مشبك جلبة لقمة الثقب (٥) إلى الخلف والإمساك بها. ويمكنك حينها إخراج لقمة الثقب.

الاستخدام

تحذيراً! يرجى استخدام الجهاز بسرعه العادية وعدم الإفراط في التحميل عليه.

قد تنشأ مخاطر كامنة أخرى عند استخدام الجهاز قد لا تكون مشمولة ضمن تحذيرات السلامة المرفقة. وقد تنشأ هذه المخاطر بسبب سوء الاستخدام أو الاستخدام لفترة طويلة وما إلى ذلك. حتى عند تطبيق تعليمات السلامة ذات الصلة وتنفيذ وسائل السلامة، قد لا يمكن تفادي بعض المخاطر الكامنة. ويتضمن ذلك:

- الإصابات الناتجة بسبب تلامس أية أجزاء دوارة/متحركة.
- الإصابات الناتجة عند تغيير أية أجزاء أو شفرات أو ملحقات.
- الإصابات الناتجة بسبب الاستخدام الزائد للجهاز. عند استخدام أي جهاز لفترات طويلة من الوقت. احرص على أخذ فواصل منتظمة.
- ضعف السمع.
- المخاطر الصحية الناتجة بسبب استنشاق الغبار الناشئ عند استخدام الجهاز (مثال:- العمل على الخشب وخصوصاً خشب البلوط أو خشب الزان أو الخشب اللبني المتوسط الكثافة).

## الرموز الموجودة على الجهاز

قد تتضمن العلامات الموجودة على الأداة الرموز التالية:

اقرأ دليل التعليمات	Hz	هرتز	
استخدم وافي العين	W	واط	
استخدم وافي الأذن	min	دقيقة تيار متردد	
V فولط	~	تيار مستمر	
A مبير	===		
N <sub>0</sub> السرعة بدون حمل			

## مكان رمز الباركود الخاص بالتاريخ

يوجد رمز الباركود الخاص بالتاريخ. بما في ذلك سنة الصنع، مطبوعاً على التبييتة.  
على سبيل المثال:

XX JN ٢٠١٤

سنة الصنع

السلامة الكهربائية

هذا الجهاز مزدوج العزل. لذا ليست هناك حاجة لسلك أرضي. احرص دوماً على التحقق من مطابقة الجهد الكهربائي لموصل الطاقة مع الجهد الكهربائي الموجود على لوحة التقنين.

باستخدام الأجزاء البديلة المطابقة فقط. وسوف يضمن ذلك الحفاظ على سلامة الجهاز الكهربائي.

### تحذيرات السلامة الخاصة بجهاز المثقاب

- ارتد واقيات الأذن. إذ قد يؤدي التعرض للضوضاء إلى ضعف السمع.
- استخدم المقبض الإضافي (المقابض الإضافية) المتوفرة مع الجهاز. إذ قد يؤدي فقدان التحكم في الجهاز إلى حدوث إصابة شخصية.
- امسك الجهاز الكهربائي من الأسطح المعزولة إذا كان هناك احتمال بأن تلامس ملحقات التقطع أية أسلاك مخفية أو سلك الجهاز نفسه. إذ قد تؤدي ملامسة ملحقات التقطع لسلك "متصل بالكهرباء" إلى جعل الأجزاء المعدنية المكشوفة من الجهاز الكهربائي "موصلة للكهرباء" مما قد يصيب المشغل بصدمة كهربائية.
- لا تستخدم ملحق الإزميل في وضع الدوران. إذ أن الملحق سينثني داخل المادة ويؤدي إلى دوران المثقاب.
- استخدم ملزمة أو أي طريقة عملية أخرى لوضع قطعة العمل وثبيتها على سطح ثابت. ذلك أن إمساك قطعة العمل باليد أو في مقابل الجسم يجعلها غير مستقرة وقد يؤدي إلى فقدان التحكم.
- قبل الحفر في الجدران أو الأرضيات أو الأسقف. تحقق من موضع الأسلاك والمواسير.
- لا تلمس طرف لقمة الثقب بعد الثقب مباشرة. فقد تكون ساخنة للغاية.
- الغرض من الاستخدام مذكور في دليل التعليمات هذا. وقد يؤدي استخدام أي ملحق أو أداء أي عمل باستخدام هذا الجهاز في غير الاستخدام الموصى به في دليل التعليمات إلى إلحاق الضرر بالأشخاص وأ/أو الممتلكات.

### سلامة الآخرين

- هذا الجهاز غير مخصص للاستخدام من قبل الأشخاص (بما في ذلك الأطفال) الذين يعانون من قصور بدني أو حسي أو ذهني. أو يفتقدون للخبرة والمعرفة. ما لم يتم الإشراف عليهم أو توجيههم فيما يتعلق بكيفية استخدام الجهاز من قبل شخص مسؤول عن سلامتهم.
- يجب مراقبة الأطفال لضمان عدم عبثهم بالجهاز.

ج. إذا كانت الأجهزة معدة للتوصيل بوسائل إزالة أو جميع الأثرية. فاحرص على توصيلها واستخدامها بشكل مناسب. حيث إن استخدام وسائل جمع الأثرية قد يقلل من المخاطر المرتبطة بها.

### 4. استخدام الجهاز الكهربائي والعناية به

- أ. لا تضغط على الجهاز الكهربائي. استخدم الجهاز الكهربائي المناسب لاستعمالك. حيث إن استخدام الجهاز الكهربائي يؤدي المهمة بشكل أفضل وأكثر أماناً بالسرعة التي تم تصميمه من أجلها.
- ب. لا تستخدم الجهاز الكهربائي إذا كان المفتاح لا يقيم بالتشغيل أو الإيقاف. حيث إن أي جهاز كهربائي لا يمكن التحكم فيه باستخدام مفتاح التشغيل/الإيقاف يكون خطيراً ويجب إصلاحه.
- ج. افصل المقبس من مصدر الطاقة وأو علب البطارية من الجهاز الكهربائي قبل إجراء أي تعديلات أو تغيير أي ملحقات أو تخزين الجهاز الكهربائي. حيث تقلل تدابير السلامة الوقائية هذه من خطر تشغيل الجهاز دون قصد.
- د. قم بتخزين الأجهزة غير المستخدمة بعيداً عن متناول الأطفال ولا تسمح للأشخاص غير المتعاملين مع الأجهزة الكهربائية أو غير المطلعين على هذه التعليمات بتشغيل الجهاز الكهربائي. حيث يمثل وجود الأجهزة الكهربائية في أيدي المستخدمين غير المدربين خطراً عليهم.
- هـ. قم بصيانة الأجهزة الكهربائية. تحقق من أي اختلاف أو عائق في الأجزاء المتحركة أو كسر في الأجزاء أو أي حالة أخرى قد تؤثر على تشغيل الأجهزة. في حالة تعرض الأجهزة للتلف. قم بإصلاح الأجهزة قبل استخدامها. حيث تقع العديد من الحوادث بسبب الصيانة الرديئة للأجهزة.
- و. احرص على حدة ونظافة أدوات القطع. من النادر أن تتسبب أدوات القطع المحفوظة بشكل مناسب. مع الحفاظ على حدة حواف القطع. في إعاقه الحركة فضلاً عن سهولة التحكم فيها.
- ز. احرص على استخدام الجهاز الكهربائي والملحقات ولقم الجهاز وما إلى ذلك وفقاً لهذه التعليمات. مع الأخذ في الاعتبار ظروف العمل والعمل المطلوب تنفيذه. قد يؤدي استخدام الجهاز الكهربائي في عمليات غير المخصص من أجلها إلى وقوع مخاطر.
- 5. الصيانة
- أ. قم بإصلاح وصيانة الجهاز بواسطة شخص مؤهل

## الغرض من الاستخدام

تم تصميم جهاز المثقاب من ستانلي للتقرب من الخرسانة والطابوق، إلى جانب أعمال النحت الخفيفة.

## التعليمات الخاصة بالسلامة

## تحذيرات عامة عند استخدام الأجهزة الكهربائية

تحذير! اقرأ كافة التعليمات وكافة تحذيرات السلامة.

قد يؤدي عدم اتباع التعليمات والتحذيرات الواردة أدناه إلى حدوث صدمة كهربية أو حرق وأو إصابة شخصية خطيرة.



## احفظ كافة التحذيرات والتعليمات للرجوع إليها في المستقبل

تشير كلمة "الجهاز الكهربائي" في كافة التحذيرات الواردة أدناه إلى الجهاز الكهربائي الذي يعمل (بواسطة أسلاك) بواسطة الموصلات الرئيسية أو الجهاز الكهربائي الذي يعمل بواسطة بطارية (بدون أسلاك).

## ١. سلامة منطقة العمل

أ. احرص على نظافة وإضاءة منطقة العمل بشكل جيد. حيث تؤدي المناطق غير المنظمة والمظلمة إلى وقوع حوادث.

ب. لا تشغل الجهاز في أجواء قابلة للانفجار، مثلاً عند وجود سائل أو غازات أو غبار قابل للاشتعال، فالأجهزة الكهربائية تطلق شرراً قد يؤدي إلى اشتعال الغبار أو الدخان.

ج. احرص على إبعاد الأطفال والمتواجدين في منطقة العمل عن الجهاز الكهربائي، فقد يتسبب الإلتهام في فقدانك للسيطرة.

## ٢. السلامة الكهربائية

أ. يجب أن تتطابق مقابس الجهاز الكهربائي مع المنفذ. لا تقم بتعديل المقبس بأي حال، لا تستخدم أي مقابس مهايئات مع أجهزة كهربائية (مورضة). سوف تؤدي المقابس غير المعدلة والمنافذ المطابقة إلى تقليل خطر حدوث صدمة كهربائية.

ب. تجنب ملامسة الجسد للأسطح المورضة مثل الأنابيب والمشعاع والثلاجات. فإذا تلامس الجسد بسطح مؤرض، فسوف يزداد خطر حدوث صدمة كهربية.

ج. لا تعرض الأجهزة الكهربائية للمطر أو لظروف رطبة. فإن دخول الماء إلى الجهاز الكهربائي يؤدي إلى زيادة خطر حدوث صدمة كهربية.

د. لا تسيء استخدام السلك. لا تستخدم السلك في حمل أو سحب الجهاز الكهربائي أو نزعه من المقبس. احرص على إبعاد السلك عن الحرارة والنفط والحواف الحادة أو الأجزاء المتحركة. حيث إن الأسلاك التالفة أو المتشابكة تزيد من خطر حدوث صدمة كهربائية.

هـ. عند تشغيل الجهاز في الخارج، استخدم سلك تمديد مناسب للاستخدام الخارجي، حيث إن استخدام سلك مناسب للاستخدام الخارجي يقلل من خطر حدوث صدمة كهربائية.

و. إذا كان يجب تشغيل الجهاز الكهربائي في مكان رطب، فاستخدم موصل محمي لقاطع الدورة (RCD). إن استخدام قاطع الدورة يقلل من خطر حدوث صدمة كهربائية.

## ٣. السلامة الشخصية

أ. توخ الحذر وراقب ما تقوم به واستخدم حسك العام عند تشغيل جهاز كهربائي. لا تستخدم أي جهاز كهربائي حينما تكون مرهقاً أو تحت تأثير المخدرات أو الكحول أو الدواء. قد تؤدي لحظة عدم انتباه واحدة أثناء تشغيل الأجهزة الكهربائية إلى وقوع إصابة شخصية خطيرة.

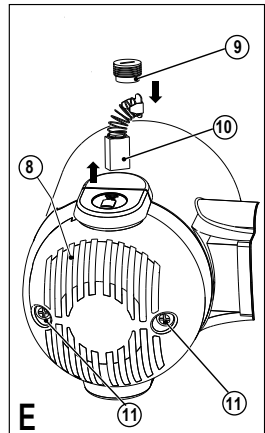
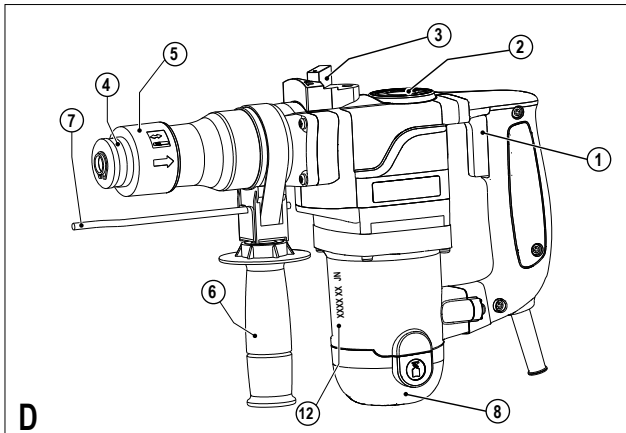
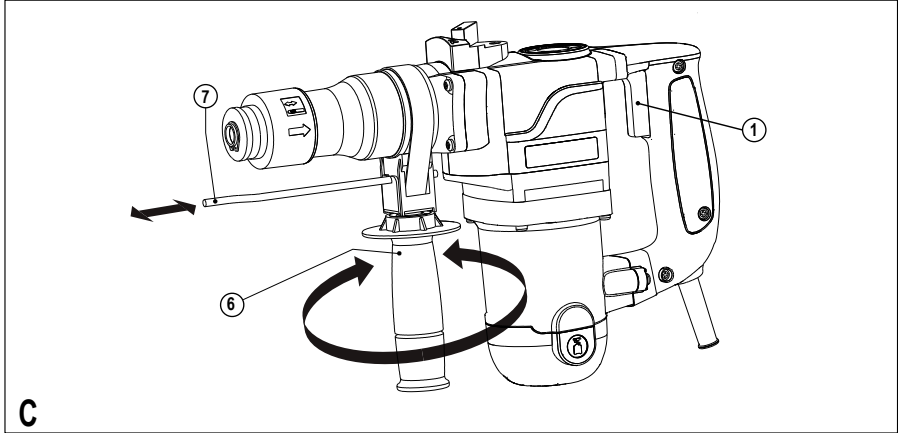
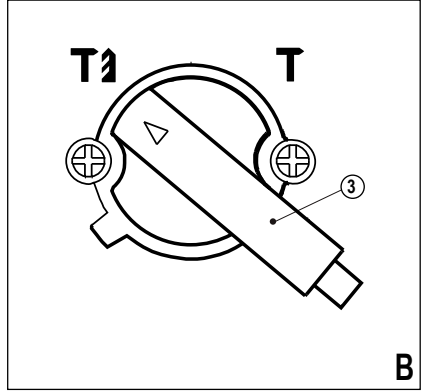
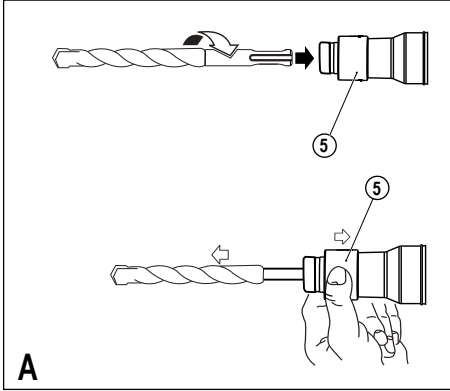
ب. استخدم معدات الحماية الشخصية. احرص دوماً على ارتداء واقي العينين. إن استخدام معدات الحماية مثل قناع الأتربة وأحذية السلامة المقاومة للانزلاق والخوذة الصلبة وواقي الأذن في الظروف المناسبة يقلل من وقوع الإصابات الشخصية.

ج. تجنب التشغيل العرضي. احرص على أن يكون مفتاح التشغيل في وضع الإيقاف قبل توصيله بمصدر الطاقة وأو علبه البطارية أو قبل التفاتط الجهاز أو حملة. قد تقع حوادث نتيجة حمل الأجهزة الكهربائية مع وضع الأصبع على مفتاح التشغيل أو توصيل الأدوات الكهربائية بالمقبس حينما يكون مفتاح التشغيل على وضع التشغيل.

د. قم بإزالة أي مفتاح ضبط أو مفتاح ربط قبل تشغيل الجهاز. فقد يؤدي ترك مفتاح الربط أو المفتاح عالقاً في الجزء الدوار بالجهاز إلى وقوع إصابات شخصية.

هـ. لا تمد يدك بالجهاز لمسافة بعيدة، ضع قدميك في موضع مناسب واحتفظ بالتوازن المناسب في جميع الأوقات، حيث يتيح لك ذلك إمكانية التحكم بشكل أفضل في الجهاز في المواقف غير المتوقعة.

و. ارتد ملابس مناسبة، لا ترتد الملابس الفضفاضة أو الحلي. احرص على إبقاء شعرك وملابسك وقفازاتك بعيدة عن الأجزاء المتحركة. فقد تسحب الأجزاء الدوارة الملابس الفضفاضة أو الحلي أو الشعر الطويل.



\* الصورة أعلاه قد تختلف قليلا إلى وحدة الفعلية.



## Names & Addresses for STANLEY Service Concessionaries - MIDDLE EAST & AFRICA

**ALGERIA:** Sarl Outillage Corporation, 08 Rue Med Boudiaf - Cheraga - Algiers, Algeria. Tel: (213-21) 375130, Fax: (213-21) 369667. **ANGOLA:** Angoferraria, Lda., Rua Robert Shields, No. 61, Luanda, Angola. Tel: 00244-222-395837 / 222-395034, Fax: 00244-222-394790. **AZERBAIJAN:** Royalton Holdings Ltd. 41 Khagani St. Apt. 47 AZ 1001, Baku. Tel: (994-12) 4935544, Fax: (994-12) 5980378. **BAHRAIN:** Kavalani & Sons W.L.L., P.O. Box 71, Sitra, Manama, Tel: (973) 17732888, Fax: (973) 17737379. Alfouz Services Co. W.L.L., P.O. Box 26562, Tubli, Manama. Tel: (973) 17783562, Fax: (973) 17783479. **EGYPT:** El Farab S.A.E., 15-Nabil El Wakkad Street, Dokki, Giza, Egypt. Tel: 00202-37603946 / 002-010-2582544, Fax: 00202-33352796. **ETHIOPIA:** Seif Tewfik Sherif, Arada Sub-City, Kebele 01/02, Global Insurance Building, 2nd Floor, Room 43, P.O. Box 2525, Addis Ababa, Ethiopia. Tel: (251-11) 1563968/ 1563969, Fax: (251-11) 1558009. **IRAQ:** Financial Links, Kazzaz Building Ararat Al-Hindia Block No: 629 Street: 31 Building No: 1 Baghdad - Iraq. Tel: 00964 (0)780 195 2223/ 00964 (0)781 3763044. Al Sard Co. for General Trading Ltd. Jbara Bldg. 3Flr, Al Rasheed St. Bagdad. Tel: (964) 18184102. Sakhar Group, Arrasat al-hindya Al Masbah, Baghdad. (964) 7400144446. **JORDAN:** Palestine Bldg. Matl. (Bashiti Hardware), 93 King Abdullah 2nd Street. Opp. ELBA House, P.O. Box 3005, Amman 11953, Tel: (962-6) 5349098, Fax: (962-6) 5330731. **KENYA:** Dextron Tools Ltd., P.O. Box 20121-00200, Shariff House, Kimathi Street, Nairobi. Tel: (254-20) 6905000/ 2358021, Fax: (254-20) 6905111/ 6905112. **KUWAIT:** Al Omar Technical Co., P.O. Box 4062, 13041 Safat, Kuwait. Tel: (965) 24848595/ 24840039, Fax: (965) 24845652. Fawaz Al Zayani Establishment, P.O. Box 42426, Shop No. 18, Al Humaizi Commercial Complex, Khalifa Al Jassim, Shuwaikh, Kuwait. Tel: (965) 24828710, Fax: (965) 24828716. Fawaz Al Zayani Establishment, P.O. Box 42426, Shop No.18, Al Humaizi Commercial Complex, Khalifa Al Jassim, Shuwaikh, Kuwait. Tel: (965) 24828710, Fax: (965) 24828716. Fawaz Al Zayani Establishment, Fahaheel Industrial Area, Main St., Sanaya, Kuwait. Tel: (965) 23925830, Fax: (965) 24828716. **LEBANON:** Est. Shaya & Azar S.A.R.L., Boulevard Jdeideh - Mar Takla - Bouchrieh. P.O. Box 90545 Jdeideh.Beirut - Lebanon. Tel: 00961 1 872305 / 306 , Fax: 00961 1 872303. **LIBYA:** North Africa Trading ( El Ghoul Brothers), AlHilal Service Center Tawergha St. Misurata. Tel: 00218-091-3221408. **(Benghazi)** Sniydal st., Amr Ibn El-Aas Rd. Tel: (+218) 92 5771120. **(Tripoli)** Al Barniq Service Center, Mokhazin elskar st., ElFallah. Tel: (+218) 21 4808019. **(Misrata)** Al Hilal Service Center, Tawergha st. Tel: (+218) 51 2626743. **MAURITIUS:** Robert Le Marie Limited, Old Moka Road, Bell Village, P.O. Box 161, Port Louis, Tel: 00230-212 1865/ 212 2847, Fax: 00230-2080843. **MOROCCO:** Ets Louis Guillaud & Cie, 149, Quartier Industriel, Moulay Rachid, Casablanca, Postal Code 20450, Morocco. Tel: 00212-522729233, Fax: 00212-522729096. **NIGERIA:** Meridian Power Tools Ltd., Gr.Floor, #1 Alhaji Masha Rd, Next to Teslim Balogun Stadium, Near National Stadium Surulere, Lagos, Nigeria. Tel: 00234-1-7740431 / 7740410, Fax: 00234-1-7913798. **OMAN:** Al Jizzi Company LLC, P.O. Box 1704, PC 112 Ruwi, Oman. Tel: (968) 24832618/ 24835153, Fax: (968) 24831334/24836460. Al Hassan Technical & Construction Supplies Co. LLC, P.O. Box 1948, P.C. 112, Ruwi, Tel: (968) 24810575 / 24837054, Fax: (968) 24810287/ 24833080. Oman Hardware Co. LLC, P.O. Box 635, Ruwi Postal Code 112, Te. (968) 24815131, Fax: (968) 24816491. Khimji Ramdas, P.O. Box 19, Post Code 100, Ghalia, Muscat, Oman. Tel: (968) 24595906/ 907, Fax: (968) 24852752. Oman Marketing & Service Co. (Omasco), P.O. Box 2734, Behind Honda Showroom, Wattayah, Oman. Tel: (968) 24560232/ 24560255, Fax: (968) 24560993. Oman Marketing & Service Co. (Omasco), Al Ohi, Sohar, Oman. Tel: (968) 26846379, Fax: (968) 26846379. Oman Marketing & Service Co. (Omasco), Sanaya, Salalah, Oman. Tel: (968) 23212290, Fax: (968) 23210936. **PAKISTAN:** ZIT Co - Nasir & Bros., 2nd Floor, Qadri Center, Chowk Dalgran Railway Road, Lahore, Pakistan. Tel: 0092 42 37670839, Fax: 0092 42 37652989. Ammar Service & Spares, 60-Bank Arcade, Serai Road, Karachi, Pakistan. Tel: (92-21) 32426905, Fax: (92-21) 32427214. **QATAR:** Teyseer Industrial Supplies & Services Co. W.L.L, 55, Al Wakalat St. (Between St. 18 & 19) Salwa Industrial Area, P.O. Box 40523 Doha, Qatar. Tel: (974) 44581536, Fax: (974) 44682024. Shaheen Electrical Works & Trading Co. W.L.L, Gate 34, St. 44 Industrial Area P.O. Box 9756, Doha, Qatar. Tel: (974) 44600230 / 44600525, Fax: (974) 44601338. Al Mufthah Service Centre, Al Wakrah Road, P.O. Box 875, Doha, Qatar. Tel: (974) 44650880/ 44650110/ 44446868, Fax: (974) 44441415 / 44662599. **SAUDI ARABIA: (Al Bahr)** Mohamed Ahmed Bin Afif Est., P.O. Box 530, Yanbu, Al Bahr. Tel: (966-4) 3222626/ 3228867, Fax: (966-4) 3222210. **(Al Khobar)** Fawaz Ebrahim Al Zayani Trading Est., P.O. Box 76026, Al Khobar # 31952, Tel: (966-3) 8140914, Fax: (966-3) 8140824. MSS (Al-Mojil Supply & Services) P.O. Box 450, Jubail 31951, Opp. Gulf Bridge Library & Riyadh House. Tel: (966-3) 3612850/ 3624487/ 3621729, Fax: (966-3) 3623589/ 3620783. **(Dammam)** MSS (Al-Mojil Supply & Services), P.O. Box 450, Jubail 31951, Opp-Gulf Bridge Library & Riyadh House. Tel: (966-3) 3612850 / 3624487 / 3621729, Fax: (966-3) 3623589 / 3620783. **(Al Bawardi Tools & Hardware)**, P.O. Box 112, Dammam, Tel: (966-3) 8330780 Ext.24 / 8348585 Ext. 24 / +966-3-8335555, Fax: (966-3) 8336303. **(Al Hassa)** Mutawa Trading & Gen. Services, Maliki road Hafuf city, Al Hassa, KSA. Tel: (966) 502846275 **(Jeddah)** Al Bawardi Tools & Hardware, P.O. Box 16905, Jeddah 21474, Tel: (966-2) 6444547 / 6439035 / 6456095, Fax: (966-2) 6439024. EAC (Al Yousef Contg. & Trdg. Est.), P.O. Box 30377, Jeddah -21477, Tel: (966-2) 6519912, Fax: (966-2) 6511153. **(Madina)** Garziz Trading for Bldg Mat & Decoration, P.O. Box 3364, Madina. Tel: (966-4) 826 14 90 / 8227636, Fax: (966-4) 8265741. **(Riyadh)** Industrial Material Organization (IMO), P.O. Box 623, Rial Street, Riyadh, Tel: (966-1) 4028010 Ext 26 / 8001245757, Fax: (966-1) 4037970. Sultan Garment Factory (RSC), P.O. Box 29912, Riyadh 11467, KSA, Tel: (966-1) 4055148 / 4042889, Fax: (966-1) 4055148. Al Bawardi Tools & Hardware, P.O. Box 68, Riyadh 11411, Tel: (966-1) 4484999, Fax: (966-1) 4487877. **(Yanbu)** Fawaz Ebrahim Al Zayani, Opposite to Al Fouzan, Jeddah highway or King Abdul Aziz road, Yanbu. Tel: (966-4) 3960980, Fax: (966-4) 3961980. Mohamed Ahmed Bin Afif Est., P.O. Box 530, Yanbu, Al Bahr, Tel: (966-4) 3222626/ 3228867, Fax: (966-4) 3222210. **SOUTH AFRICA:** Stanley Black & Decker - RSA, 199 Winetree Drive Stormill Exit 9 Rooodepoort. Tel: (2711) 472 0454, Fax: (2711) 472 0482. Trevco Power Tool Service 14 Steenbok Street, Koedoespoort, 0186, Pretoria, South Africa. Tel: (27-86) 1873826, Fax: (27-86) 5001771. **TANZANIA:** General Motors investment Ltd., P.O. Box 16541, 14 Nyerere Road, Vingunguti, Dar-es-Salaam. Tel: (255 22) 2862661/ 2865022, Fax: (255 22) 2862667. **TUNISIA:** Societe Tunisienne De Maintenance (STM), Rue de la Physique. Nouvelle Zone Industrielle Ben Arous., 2013 Ben Arous, Tunisia. Tel: (+216) 79 389687, Fax: (+216) 71 385154. **UAE: (Abu Dhabi)** Light House Electrical, P.O. Box 120, Abu Dhabi. Tel: (971-2) 6726131, Fax: (971-2) 6720667. Galaxy Equipment Trading, Madinat Zayed (Baada Zaid), Abu Dhabi P.C. 58910, Tel: (971-2) 8844279, Fax: (971-2) 8844297 **(Ajman)** Al Sukoon Gen. Trdg. Co. LLC, P.O. Box 2975, Ajman. Tel: (971-6) 7435725/ 7438317, Fax: (971-6) 7437350, Al Sukoon Gen. Trdg. Co. LLC, P.O. Box 2975, Ajman, Tel: (971-6) 7435725 / 7438317, Fax: (971-6) 7437350 **(Al Ain)** Zillion Equipment and Spare Parts Trading LLC, P.O. Box 19740, Opp. Bin Sada/ Trimix Redymy Sanaiya, Al Ain. Tel: (971-3) 7216690, Fax: (971-3) 7216103. **(Dubai)** Black & Decker (Overseas) GmbH, P.O. Box 5420, Dubai. Tel: (971-4) 8127400/ 8127406, Fax: (971-4)2822765. Ideal Star Workshop Eqp't.Trading LLC, P.O. Box 37116, Al Quoz, Dubai. Tel: (971-4) 3474160, Fax: (971-4) 3474157, Fine Tools, P.O.Box 30139, Al Quoz, Dubai, Tel: (971-4) 3385240, Fax: (971-4) 3385239, Albreah Engineering Service, P.O. Box 78954, Al Qusais , Dubai. Tel: (971-4) 2850044, Fax: (971-4) 2848402. **(Musafah)** Light House Electrical, P.O. Box 120, Abu Dhabi. Tel: (971-2) 5548315, Fax: (971-2) 5540461. **(Sharjah)** Mc Coy Middle East LLC, P.O. Box 25793, Sharjah, Tel: (971-6) 5395931, Fax: (971-6) 5395932. Burj Al Madeena, Industrial Area No.1, Opp. Pakistani Masjid, P.O. Box 37635, Sharjah. Tel: (971-6) 5337747, Fax: (971-6) 5337719. Burj Al Madeena , Industrial Area No 1, opp Pakistani Masjid P.O. Box 37635, Sharjah, Tel: (971-6) 5337747, Fax: (971-6) 5337719 **(Ras Al Khaimah)** Mc Coy Middle East LLC, P.O. Box 10584, Ras Al Khaimah, Tel: (971-7) 2277095, Fax: (971-7) 2277096. **UGANDA:** The Building Center (U) Ltd., 52 Station Road, Kitgum House, P.O. Box 7436, Kampala, Uganda. Tel: (256-41) 4234567/ 4259754, Fax: (256-41) 4236413. **YEMEN: (Aden)** Middle East Trad. Co. Ltd. (METCO), Mualla Dakka, Aden, Yemen. Tel: (967-2) 222670, Fax: (967-2) 222670. **(Sana'a)** Middle East Trad. Co. Ltd. (METCO), Hayel St., Sana'a, Yemen. Tel: (967-1) 204201, Fax: (967-1) 204204. **(Taiz)** Middle East Trading Co. (METCO), P.O. Box 12363, 5th Flr, Hayel Saeed Anam Bldg, Al-Mugamma St. Taiz, Yemen. Tel: (967-4) 213455, Fax: (967-4) 219869.